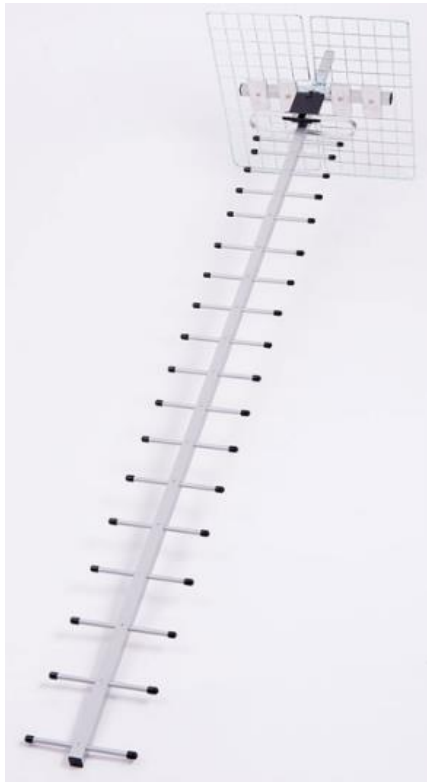




*The World Wide Leader in Antenna*

# GSM Antenna

## YAGI-36



Frequency : 824~960/ 1800/ 1900 MHZ

Gain : 28dB

Connector : FME, Mini-UHF, TNC

V.S.W.R : <1.5:1

Impedance: 50 ohm

Cable : (Optional)

Length : 1304mm

Weight : 1.74 kgs

Material : Aluminum

Polarization : Linear (H) or (V)

Color : Anode

Mount : YAGI Holder

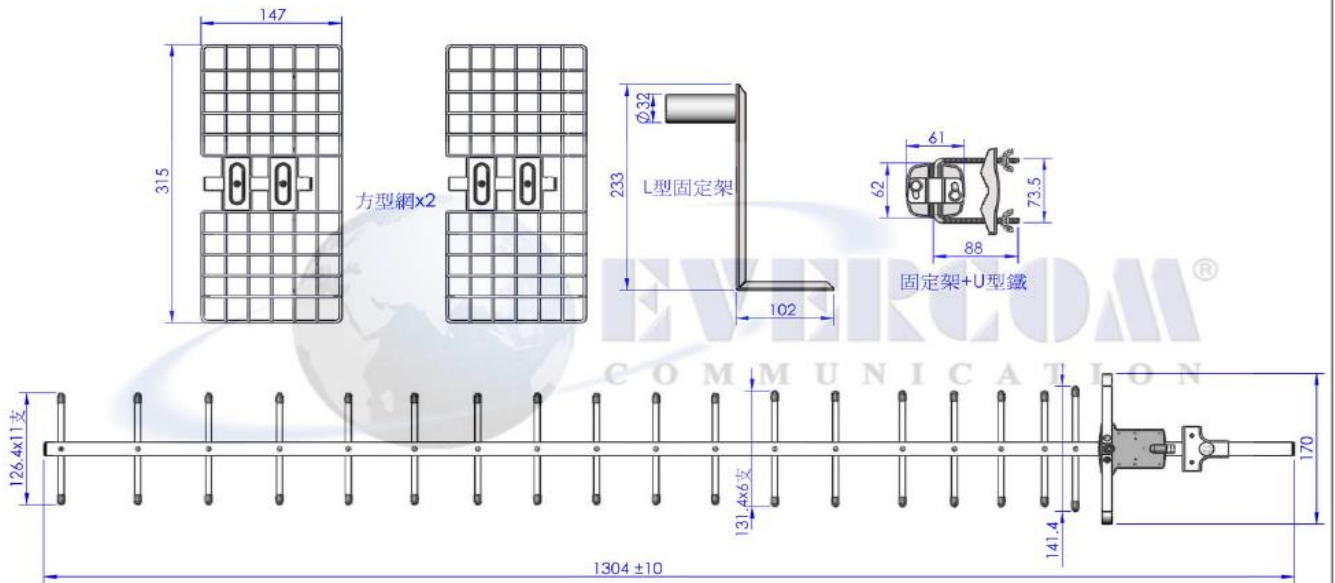
Temperature : -20°C to +60°C

Max. Power : 100W

**EVERCOM COMMUNICAITON TECHNOLOGY CO., LTD.**

No.108 Jiesin St. Taoyuan District Taoyuan City 33063, Taiwan R.O.C.

Tel: +886-3- 376- 5678 Fax: +886-3- 376- 5319 E-Mail: [service@evercomtech.com](mailto:service@evercomtech.com)



EVERCOM COMMUNICATION TECHNOLOGY CO., LTD

CHECKED BY

APPROVAL BY

DESIGNED BY

SCALE

UNIT

MODEL NAME

MODEL NO.

YAGI-36/0

Ben  
20140506

C.H.C  
2012.03.12

1 : 5

mm

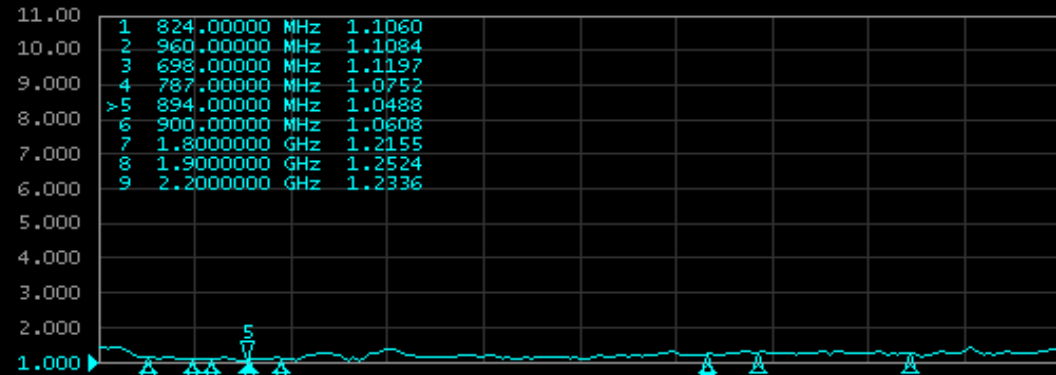
1 Active Ch/Trace 2 Response 3 Stimulus 4 Mkr/Analysis 5 Instr State

Evercom Communication Technology Co.,Ltd.

▶ Tr1 S11 Log Mag 10.00dB/ Ref 0.000dB [R0]



Tr2 S11 SWR 1.000/ Ref 1.000 [R0]



1 Start 600 MHz

IFBW 70 kHz

Stop 2.5 GHz Cor |

Meas Stop ExtRef Ready Svc 2017-08-30 15:28

System

Print

Abort Printing

Printer Setup...

Invert Image

ON

Dump  
Screen Image...

Multiport Test Set  
Setup

Misc Setup

Backlight

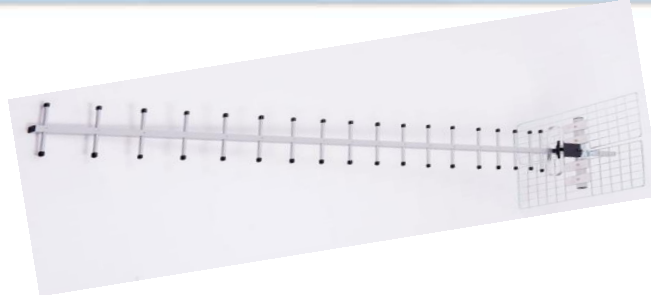
ON

Firmware  
Revision

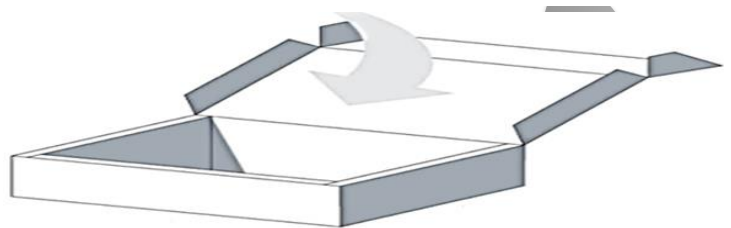


*The World Wide Leader in Antennas*

# Packaging



**\*1 pc Antenna  
PE bag/ each**

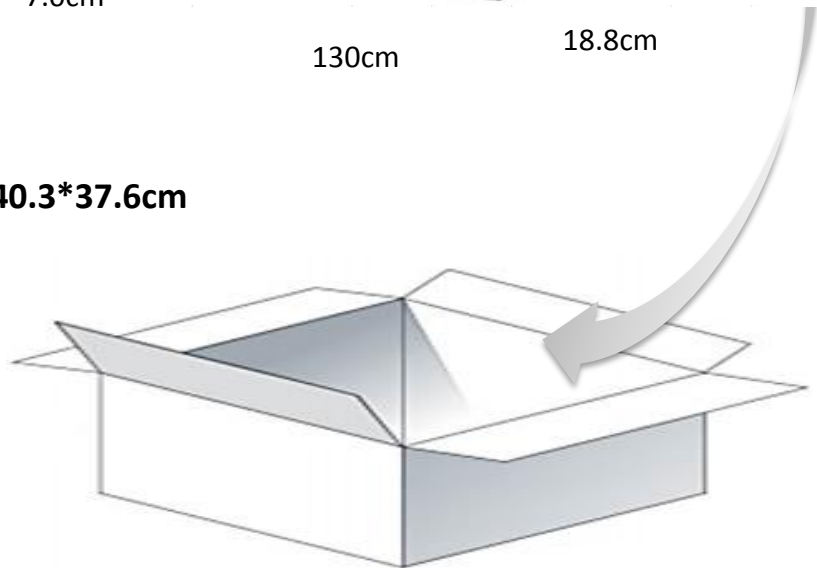


7.0cm

130cm

18.8cm

**50 pcs per carton  
Carton Dimensions:123.7\*40.3\*37.6cm**



40.3cm

123.7cm

37.6cm