



The World Wide Leader in Antenna

GSM Antenna

YAGI-22/0



Frequency : 824-960/ 1710-1800/ 2200
MHZ

Gain : 24dB

Connector : FME, Mini-UHF, TNC

V.S.W.R : <1.5:1

Impedance : 50 ohm

Cable : N/A

Length : 1004mm

Weight : \approx 1.78 Kg

Material : Aluminum

Polarization : Linear (H) or (V)

Color : Black Painting

Mounting : YAGI Holder

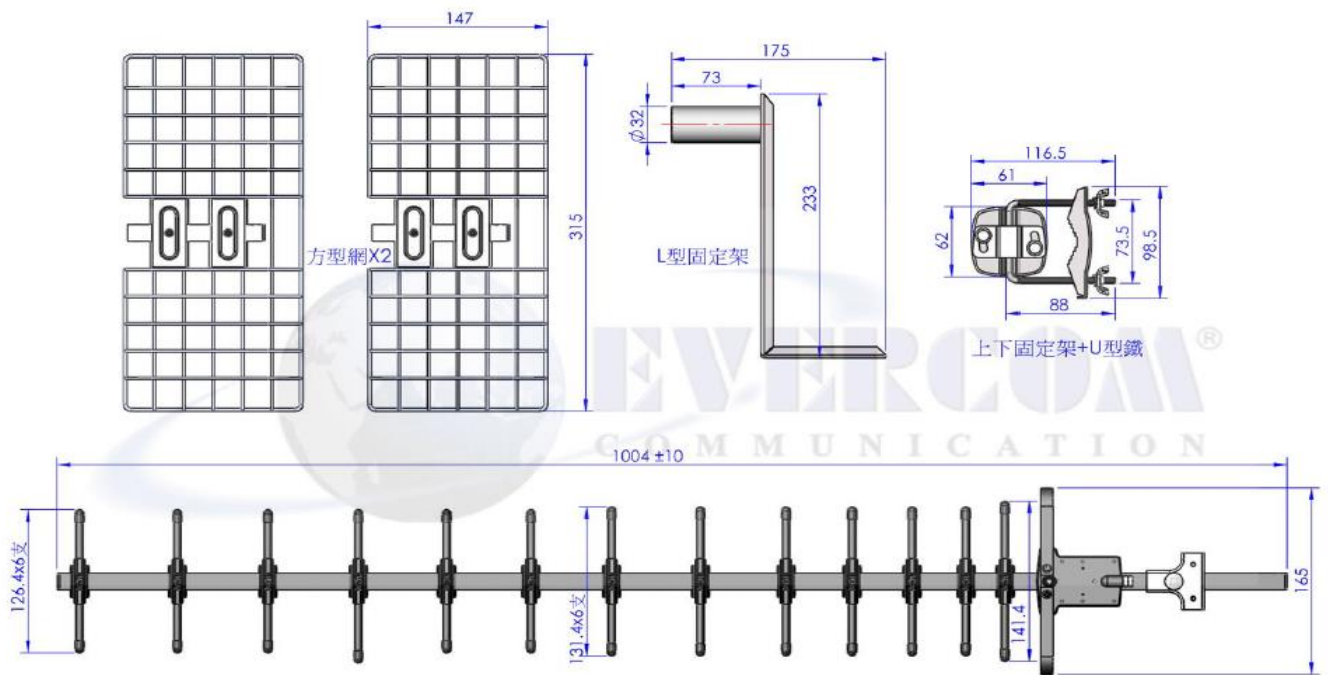
Temperature : -20°C ~ +60°C

Max. Power : 100W

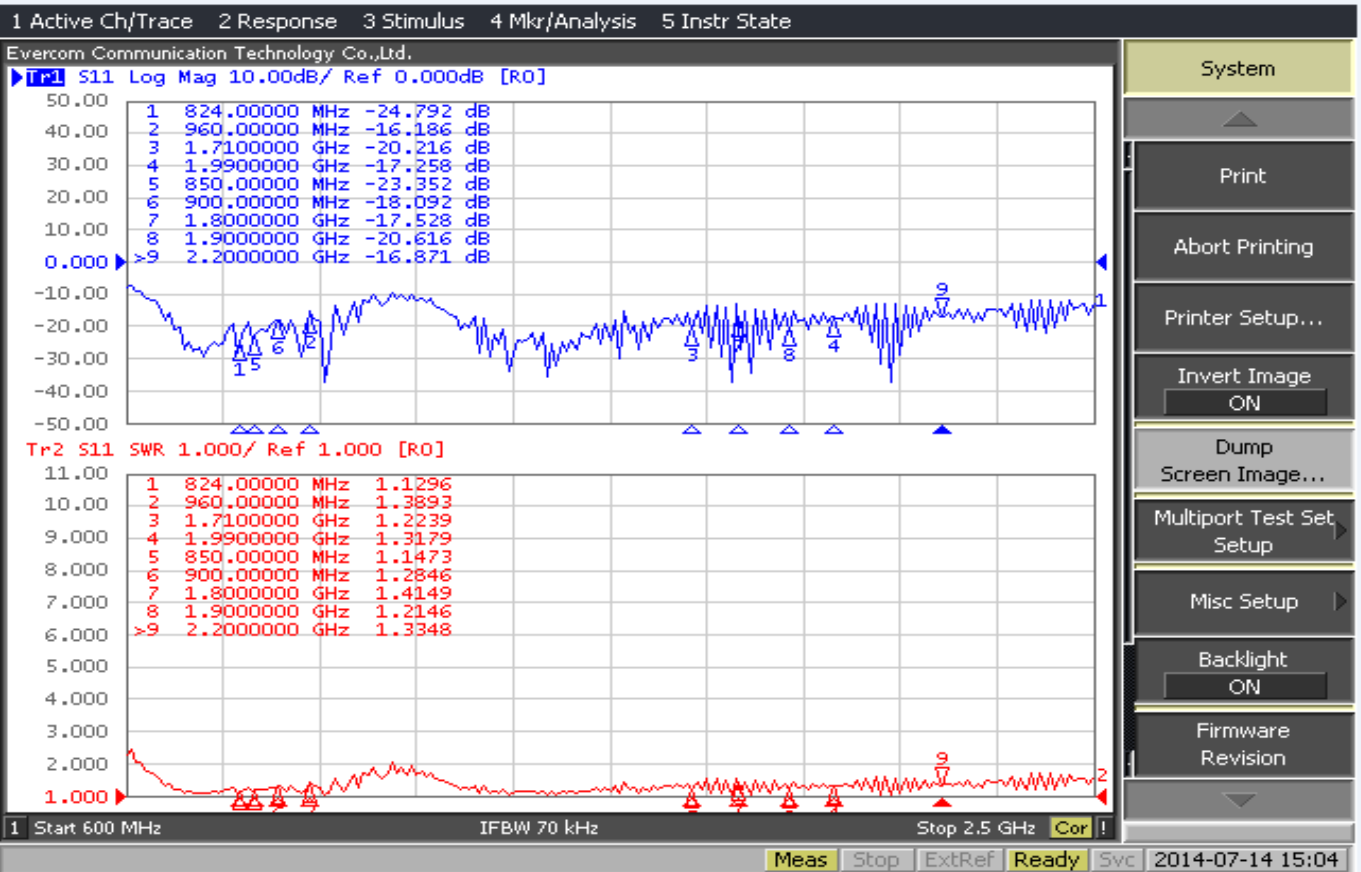
EVERCOM COMMUNICAITON TECHNOLOGY CO., LTD.

No.108 Jiesin St. Taoyuan District Taoyuan City 33063, Taiwan R.O.C.

Tel: +886-3- 376- 5678 Fax: +886-3- 376- 5319 E-Mail: service@evercomtech.com



	EVERCOM COMMUNICATION TECHNOLOGY CO.; LTD		CHECKED BY	APPROVAL BY	DESIGNED BY	SCALE	UNIT
	MODEL NAME	MODEL NO.		<i>Ben</i> 20130314	C.H.C 2013.02.22	1 : 4	mm
		YAGI-22/0					



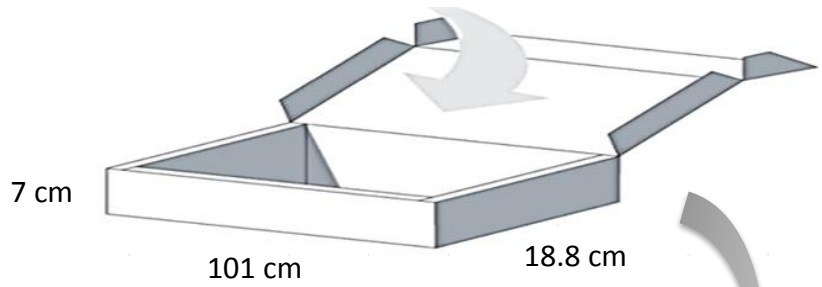


The World Wide Leader in Antenna

Packaging



***1 pc Antenna
box / each**



**10 pcs per carton
Carton Dimensions: 104*41*38cm**

