



*The World Wide Leader in Antenna*

# GSM Antenna

## YAGI-08/10X

Frequency : 824-960 MHZ

Gain : 4.5dB

Connector : FME, Mini-UHF, TNC

V.S.W.R : <1.5:1

Impedance : 50 ohm

Cable : RG58 10M

Length : 466mm

Weight : 1.3kgs

Material : Steel

Polarization : Linear (H) or (V)

Color : White Chrome

Mounting : U-Bolts

Temperature : -20°C ~ +60°C

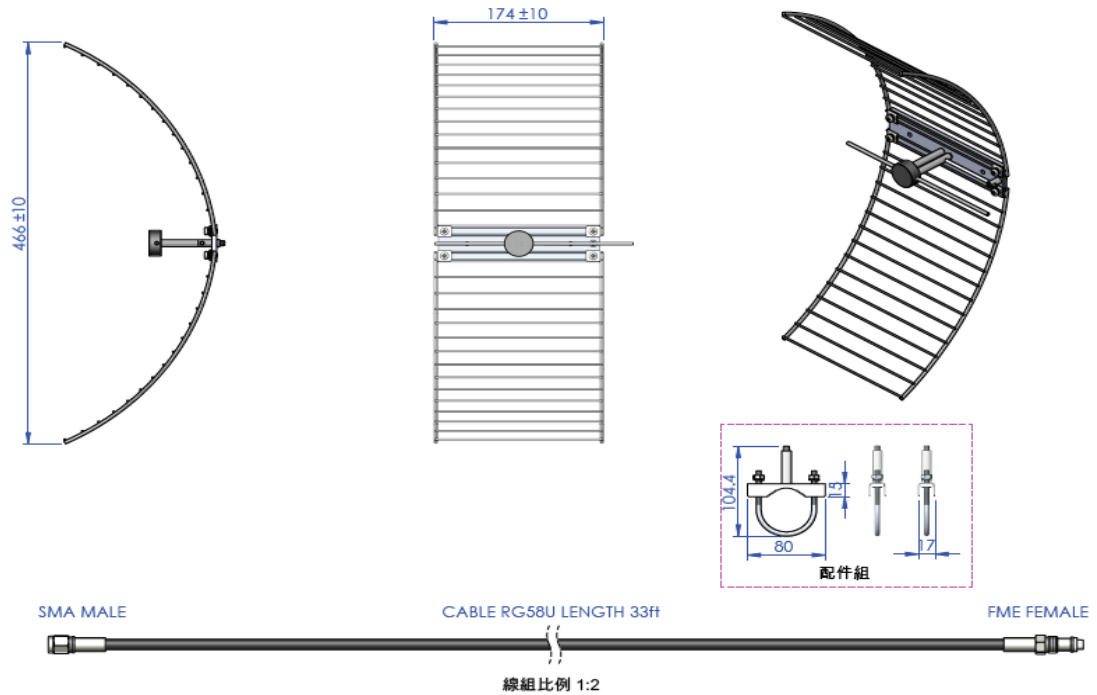
Max. Power : 50W



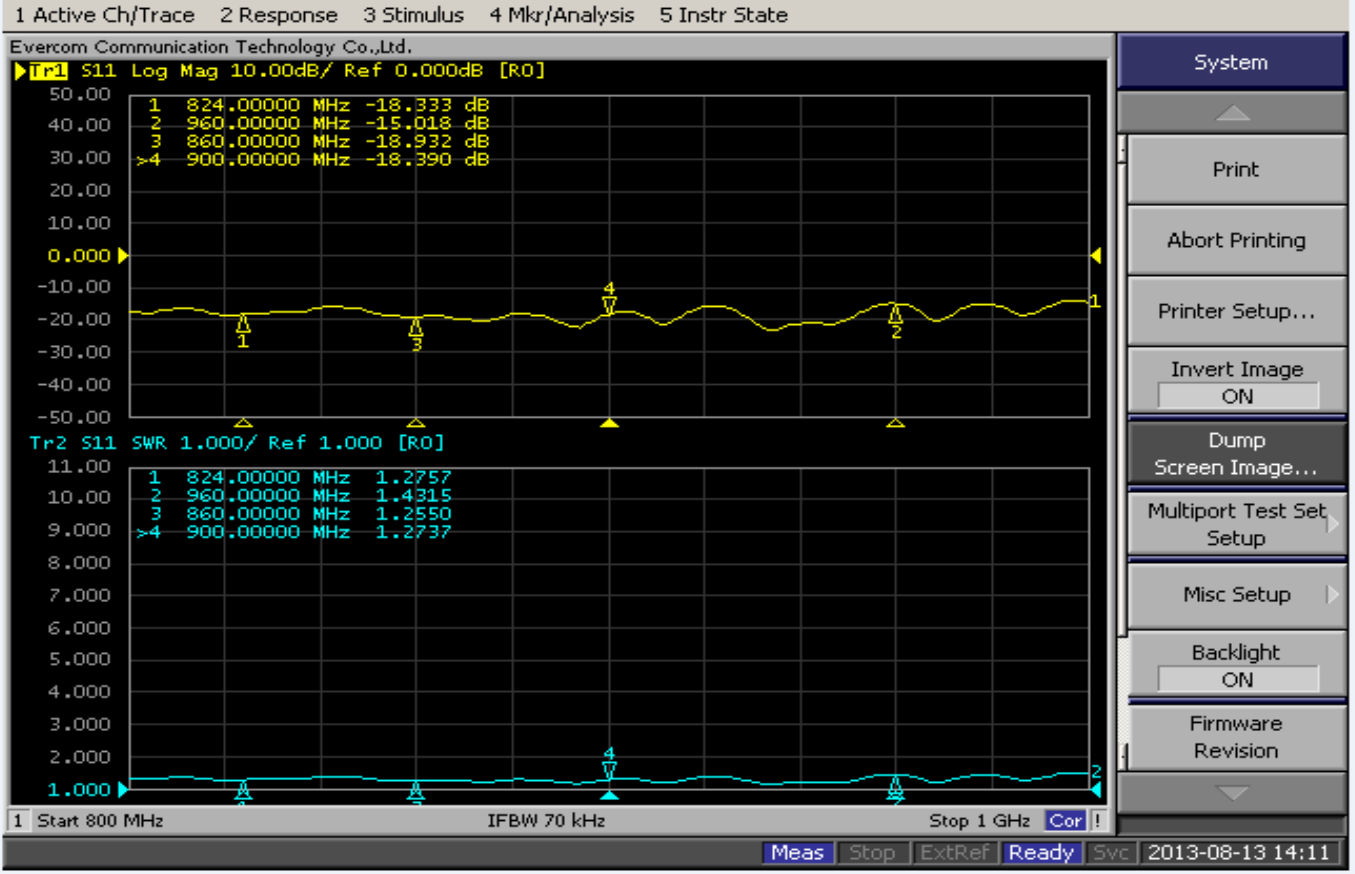
**EVERCOM COMMUNICAITON TECHNOLOGY CO., LTD.**

No.108 Jiesin St. Taoyuan District Taoyuan City 33063, Taiwan R.O.C.

Tel: +886-3- 376- 5678 Fax: +886-3- 376- 5319 E-Mail: [service@evercomtech.com](mailto:service@evercomtech.com)



EVERCOM COMMUNICATION TECHNOLOGY CO.; LTD		CHECKED BY	APPROVAL BY	DESIGNED BY	SCALE	UNIT
MODEL NO.	YAGI-08 / 10			C.H.C 2013.02.20	1:5	mm

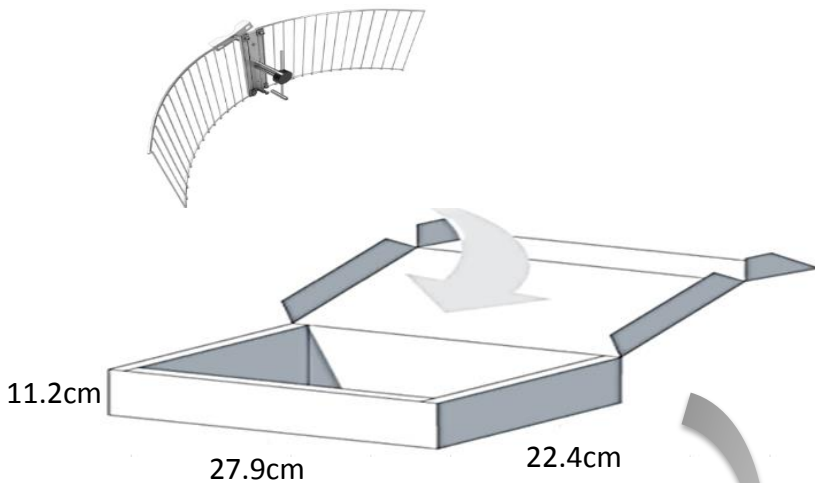




*The World Wide Leader in Antenna*

# Packaging

**\*1 pc Antenna  
box / each**



**10 pcs per carton**

**Carton Dimensions: 60.4\*48.4\*29.7cm**

