



*The World Wide Leader in Antenna*

# GSM Antenna

## YAGI-04D10X



Frequency : 900/ 1800 MHZ

Gain : 11dB

Connector : FME, Mini-UHF, TNC

V.S.W.R : <1.5:1

Impedance : 50 ohm

Cable : (Optional)

Length : 574mm

Weight : 1.1kgs

Material : Aluminum

Polarization : Linear (H) or (V)

Color : Anode

Mounting : YAGI Holder

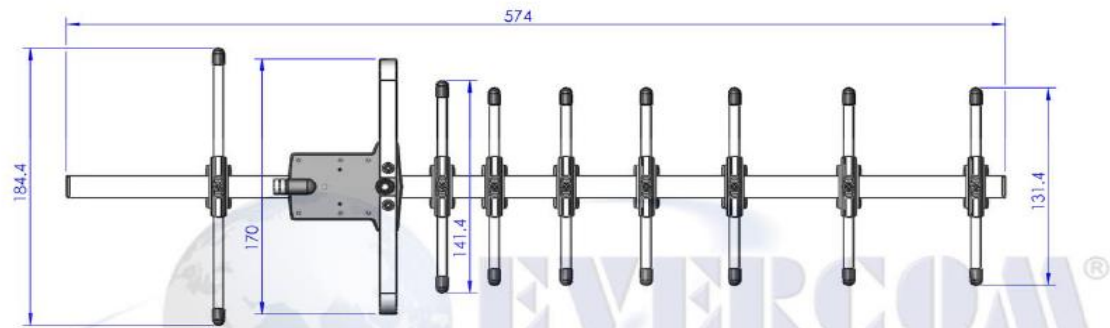
Temperature : -20°C to +60°C

Max. Power : 60W

**EVERCOM COMMUNICAITON TECHNOLOGY CO., LTD.**

No.108 Jiesin St. Taoyuan District Taoyuan City 33063, Taiwan R.O.C.

Tel: +886-3- 376- 5678 Fax: +886-3- 376- 5319 E-Mail: [service@evercomtech.com](mailto:service@evercomtech.com)



配件包  
(上下固定架+U型鐵)



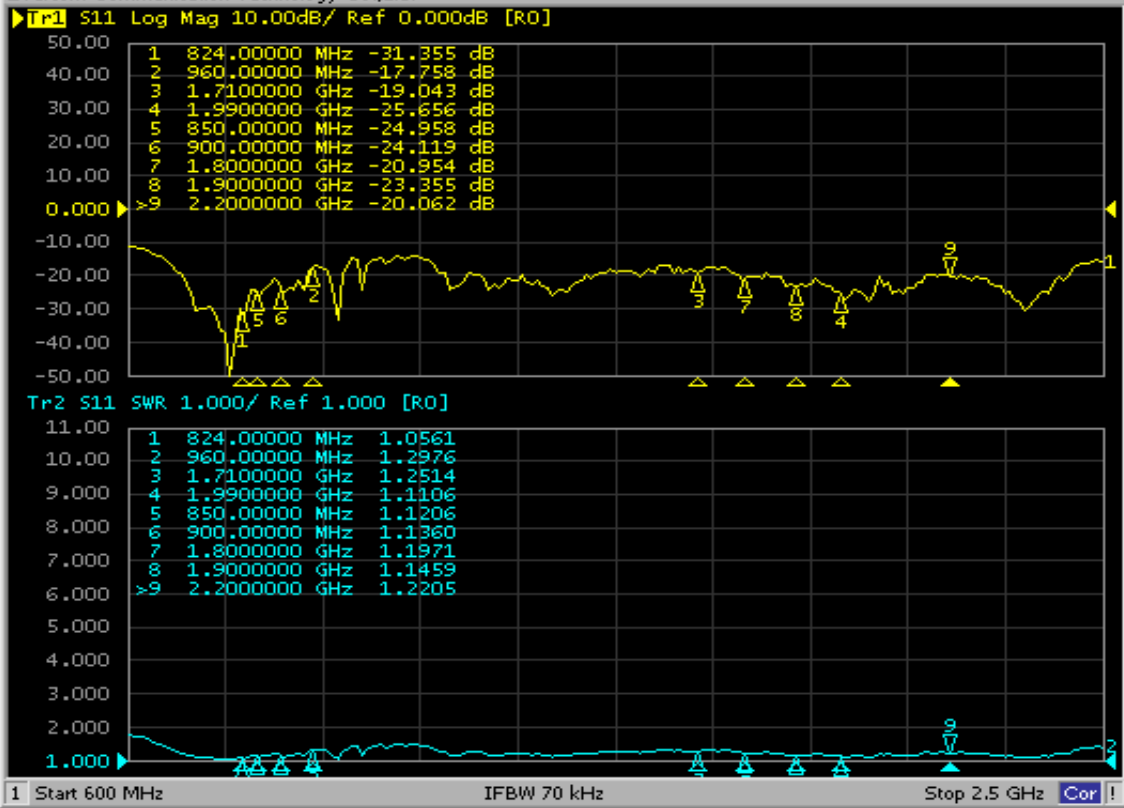
線組比例 1:2



EVERCOM COMMUNICATION TECHNOLOGY CO., LTD		CHECKED BY	APPROVAL BY	DESIGNED BY	SCALE	UNIT
MODEL NAME	MODEL NO.	YAGI-04D/10X	<i>Ben</i> 20131231	C.H.C 2013.03.07	1 : 3	mm

1 Active Ch/Trace 2 Response 3 Stimulus 4 Mkr/Analysis 5 Instr State

Evercom Communication Technology Co.,Ltd.



System

Print

Abort Printing

Printer Setup...

Invert Image  
ON

Dump  
Screen Image...

Multiport Test Set  
Setup

Misc Setup

Backlight  
ON

Firmware  
Revision

1 Start 600 MHz IFBW 70 kHz Stop 2.5 GHz Cor I

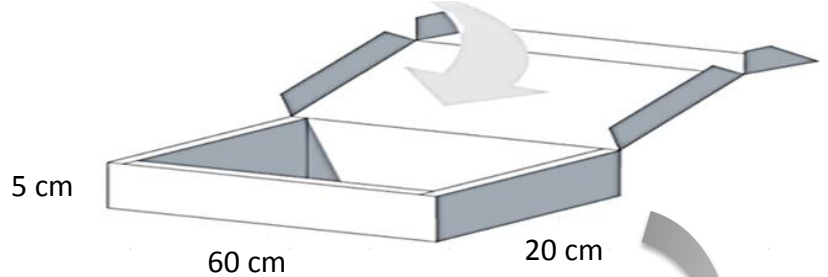


*The World Wide Leader in Antenna*

# Packaging



**\*1 pc Antenna  
PE bag/ each**



**10 pcs per carton  
Carton Dimensions: 62\*43\*31cm**

