



*The World Wide Leader in Antenna*

# 2.4GHz Antenna

## XG-WD-19SRF



Frequency : 2.4-2.5GHz

Gain : 5dBi

V.S.W.R : <2.0:1

Impedance : 50 ohm

Connector : SMA RP / SMA

Material : TPR

Weight : ≐ 20g

Length : 196 mm

Wave : 1/2λ Dipole

Color : Black

Polarization : Vertical

Temperature : -20°C to +65°C

**EVERCOM COMMUNICAITON TECHNOLOGY CO., LTD.**

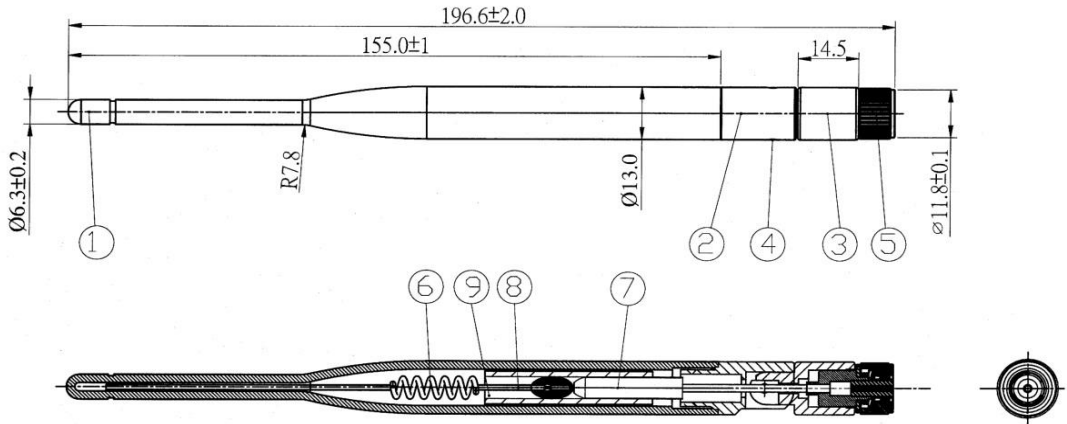
No.108 Jiesin St. Taoyuan District Taoyuan City 33063, Taiwan R.O.C.

Tel: +886-3-376-5678 Fax: +886-3-376-5319 E-Mail: [service@evercomtech.com](mailto:service@evercomtech.com)



ISO 9001

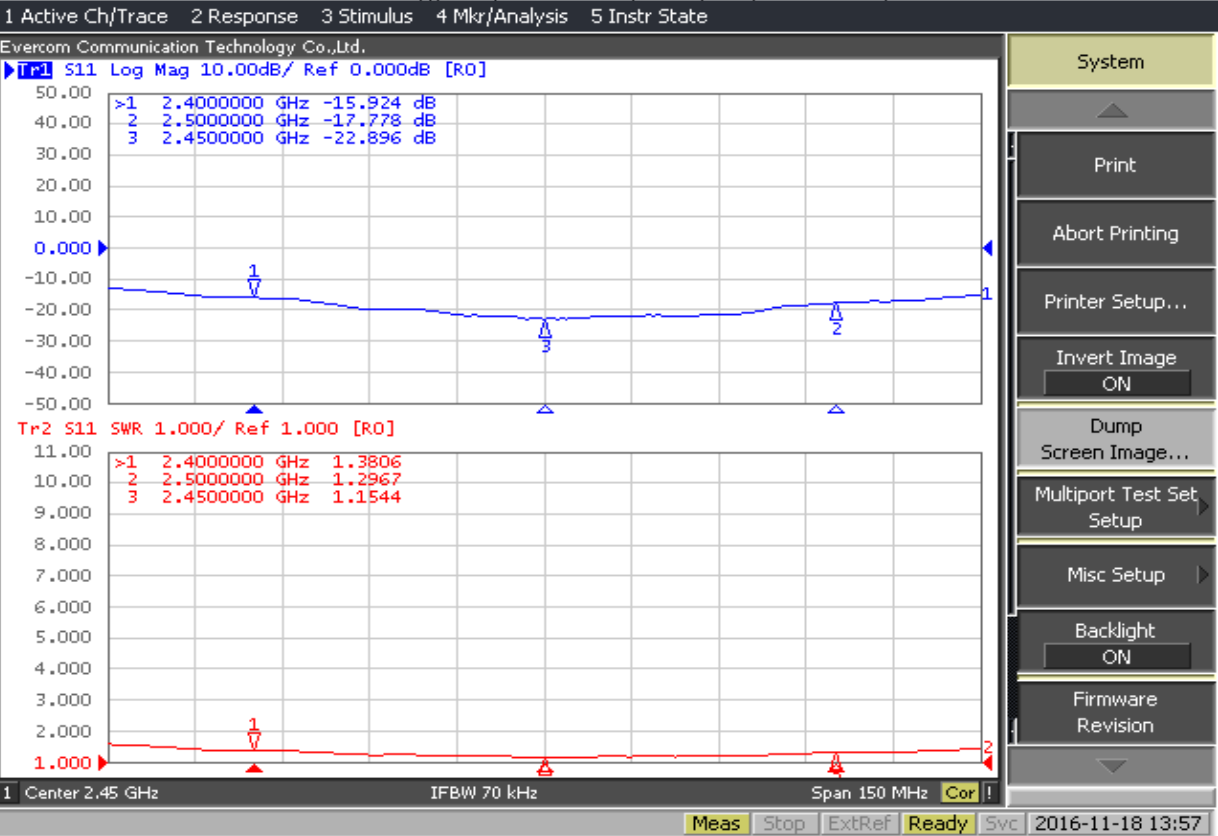
**RoHS**  
Compatible



9	R-AN1901-04A	Sleeve	ABS	Ø8.20/ L=30.0 mm	1
8	R-RG-178U	Cable	RG178	L=70.0mm	1
7	R-AN94-02S	Tube	Cu	Ø5.20/L=26.0 mm	1
6	R-AN1901-06	Spring	Cu	L=94.0mm	1
5	R-SMA324-CCSMRANT	SMA Male Revers	Cu	Electrodeposition	1
4	R-AN03-514CZ	Rivet	Cu	Electrodeposition	2
3	R-AN03-T01	Body1	PA-6	Black	1
2	R-AN03-T02	Body2	PA-6	Black	1
1	R-AN1901-01	Body	TPE	Black	1

EVERCOM COMMUNICATION TECHNOLOGY CO; LTD		CHECKED BY	APPROVAL BY	DESIGNED BY	SCALE	UNIT
MODEL NAME	MODEL NO.	WD-19SRF		C.H.C	N/A	mm
				2015.08.14		

Evercom Communication Technology Co., Ltd. Frequency Inspection Report



Item No. : XG-WD-19SRF

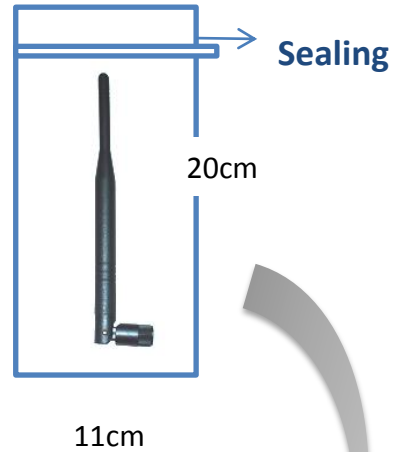
Inspector: Amber



*The World Wide Leader in Antenna*

# Packaging

**\*1 pc Antenna  
PE bag/ each**



**100 pcs per carton  
Carton Dimensions:30\*30\*20cm**

