



The World Wide Leader in Antenna

2.4GHz Antenna

XG-WD-09SRF

Frequency : 2.4-2.5GHz

Gain : 1.9dBi

V.S.W.R : <2.0:1

Impedance : 50 ohm

Connector : SMA RP / SMA

Material : TPR

Weight : 6g

Length : 109 mm

Color : Black

Wave : $1/2\lambda$ Dipole

Polarization : Vertical

Temperature : -20°C to +60°C



EVERCOM COMMUNICAITON TECHNOLOGY CO., LTD.

No.108 Jiesin St. Taoyuan District Taoyuan City 33063, Taiwan R.O.C.

Tel: +886-3-376-5678 Fax: +886-3-376-5319 E-Mail: service@evercomtech.com

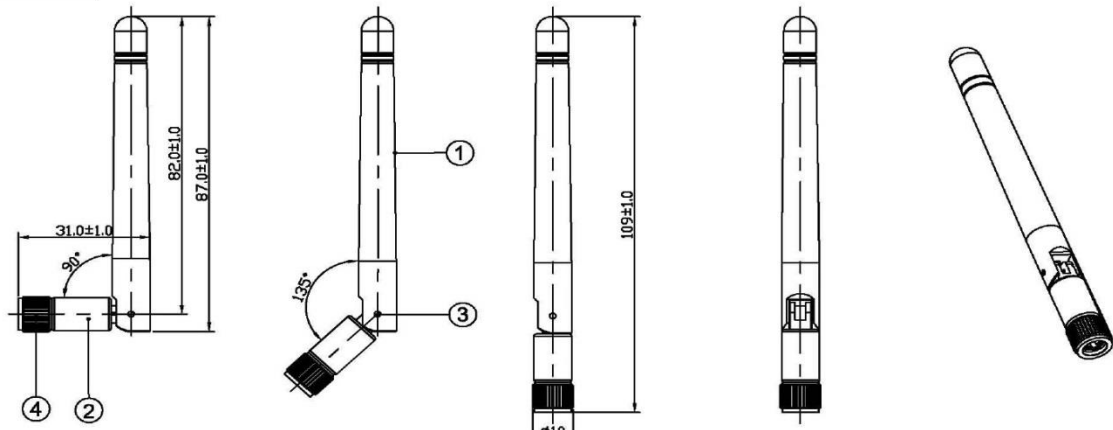


ISO 9001

RoHS

Compatible

SIGN	DATE	DESCRIPTION	APPROVER
▲			
▲			
▲			



Noted :
 1. Unmarked tolerance refer to the standard tolerance please.
 2. Take* dimension is the important dimension.

4	SMA002-CZ8MN178-01	SMA公頭公針	CU	黑色	1
3	SCY-ZZ15355SL-01	定位柱	ABS	黑色	2
2	SCY-LT9425L-01	連接頭	ABS	黑色	1
1	SCY-BT94875L-01	本體	ABS	黑色	1
NO.	Part Number	Description	Material	Finish	Q'ty

EVERCOM COMMUNICATION TECHNOLOGY

TITLE: Antenna-2.4GHz-2dBi

PART NO: XG-WD-09SRF

DWG NAME: CY2400-10109LM-03A

APPROVED BY

CHECKED BY

DESIGNED BY

Tolerance

UNITS: mm

SCALE: 1/1

X.X ±0.2

2011/07/27

X.XX ±0.05

REVISION: A

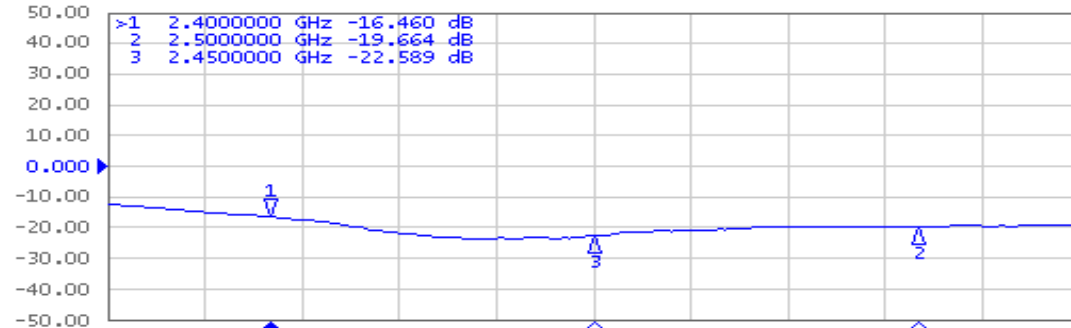
X' ±1"

Evercom Communication Technology Co., Ltd. Frequency Inspection Report

1 Active Ch/Trace 2 Response 3 Stimulus 4 Mkr/Analysis 5 Instr State

Evercom Communication Technology Co.,Ltd.

▶ Tr1 S11 Log Mag 10.00dB/ Ref 0.000dB [R0]



Tr2 S11 SWR 1.000/ Ref 1.000 [R0]



1 Center 2.45 GHz

IFBW 70 kHz

Span 150 MHz

Cor |

Meas Stop ExtRef Ready Svc 2014-03-03 10:25

Item No. : XG-WD-09SM

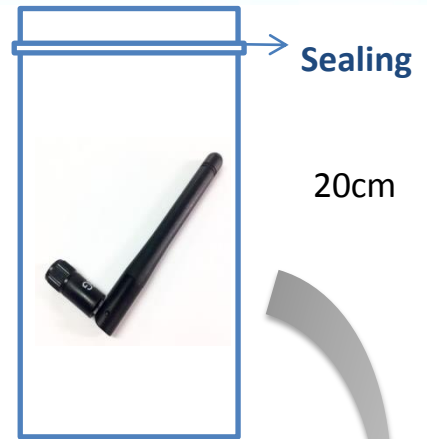
Inspector: Amber



The World Wide Leader in Antenna

Packaging

***1 pc Antenna
PE bag/ each**



**1000 pcs per carton
Carton Dimensions:40*30*28cm**

