



The World Wide Leader in Antenna

2.4G Antenna

WLY-AL06NF



Frequency : 2.4-2.5GHz

Gain : 7dBi

V.S.W.R : <2.0:1

Impedance : 50 ohm

Max Power : 50W

Connector : N Female

Material : Aluminum

Weight : ≐ 600g

Color : Anode

Polarization : Horizontal

Mount : U-Bolts Type

Lightning Protection : DC ground

Temperature : -20°C to +60°C

Wind Load : 60km/h

Dimension : 304 X 98.5mm

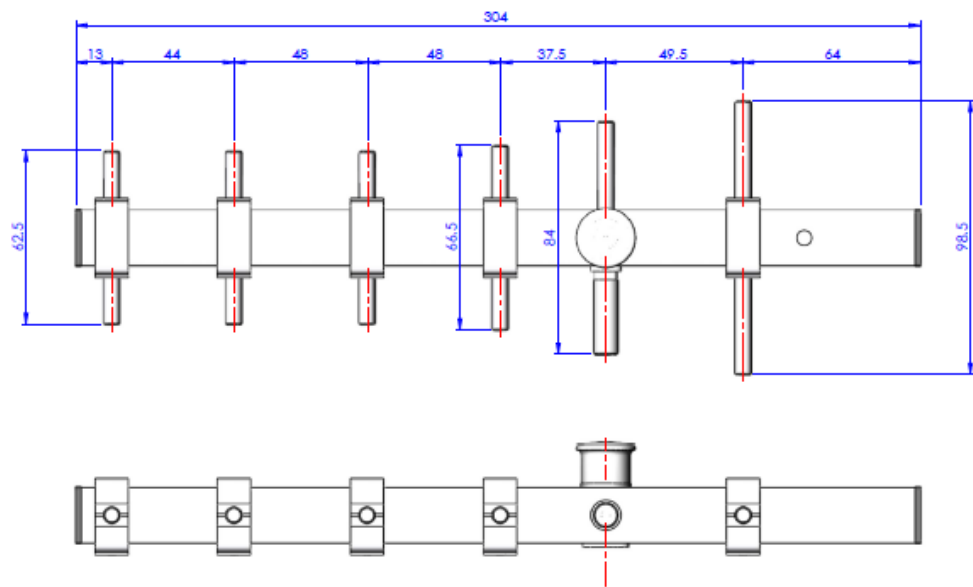
EVERCOM COMMUNICAITON TECHNOLOGY CO., LTD.

No.108 Jiesin St. Taoyuan District Taoyuan City 33063, Taiwan R.O.C.

Tel: +886-3- 376- 5678 Fax: +886-3- 376- 5319 E-Mail: service@evercomtech.com



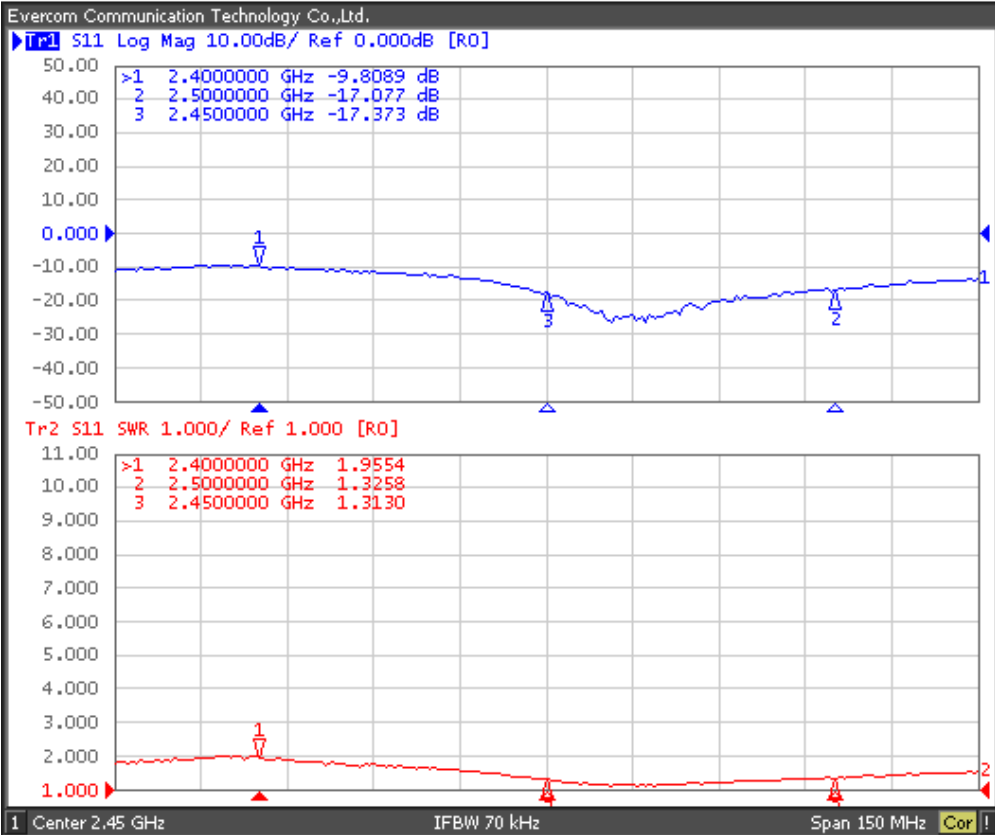
ISO 9001



	EVERCOM COMMUNICATION TECHNOLOGY CO., LTD			CHECKED BY	APPROVAL BY	DESIGNED BY	SCALE	UNIT
	MODEL NAME	MODEL NO.	WLY-AL06NF			C.H.C 2011.08.18	1 : 1.5	mm

Evercom Communication Technology Co., Ltd. Frequency Inspection Report

1 Active Ch/Trace 2 Response 3 Stimulus 4 Mkr/Analysis 5 Instr State



System

Print

Abort Printing

Printer Setup...

Invert Image
ON

Dump
Screen Image...

Multiport Test Set
Setup

Misc Setup

Backlight
ON

Firmware
Revision

Meas Stop ExtRef Ready Svc 2012-11-23 17:10

Item No. : WC-WLY-AL06NF

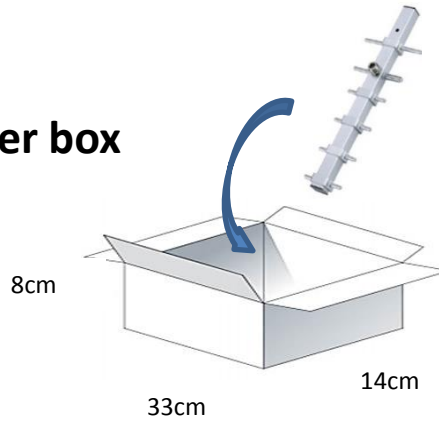
Inspector: Amber



The World Wide Leader in Antenna

Packaging

A set of antenna put in an inner box



10 pcs per carton
Carton Dimensions: 35*31*44cm

