



The World Wide Leader in Antenna

2.4GHz Antenna

WLO-M22A



Frequency : 2.4-2.5GHz
Gain : 7dBi
V.S.W.R : <2.0:1
Impedance : 50 ohm
Connector : SMA,FME (Optional)
Cable : RG174 (Optional)
Material : Copper/ABS/ Steel
Dimension : 219.5 x 29 x 3mm
Weight : ≐ 70g
Color : Black
Mounting : Magnet Type
Polarization : Vertical
Temperature : -20°C to +60°C

EVERCOM COMMUNICAITON TECHNOLOGY CO., LTD.

No.108 Jiesin St. Taoyuan District Taoyuan City 33063, Taiwan R.O.C.

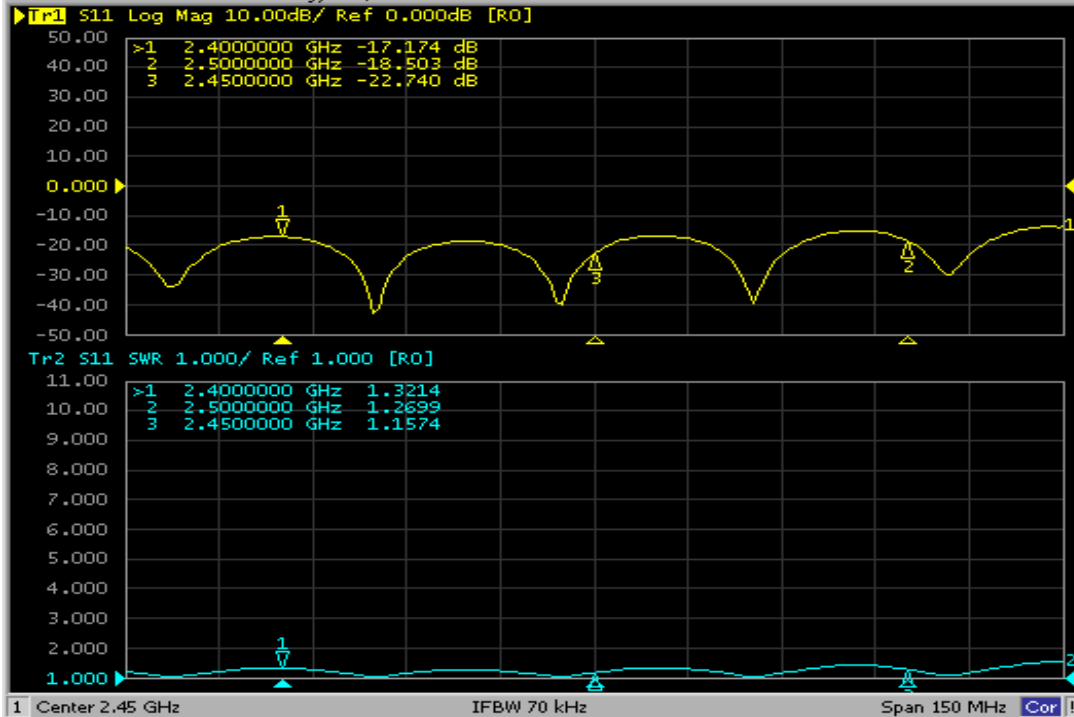
Tel: +886-3- 376- 5678 Fax: +886-3- 376- 5319 E-Mail: service@evercomtech.com



EVERCOM COMMUNICATION TECHNOLOGY CO.; LTD		CHECKED BY	APPROVAL BY	DESIGNED BY	SCALE	UNIT
MODEL NAME	MODEL NO.	WLO-M22A/SM3		C.H.C	1 : 1	mm
				2010.11.26		

1 Active Ch/Trace 2 Response 3 Stimulus 4 Mkr/Analysis 5 Instr State

Evercom Communication Technology Co.,Ltd.



System

Print

Abort Printing

Printer Setup...

Invert Image ON

Dump Screen Image...

Multiport Test Set Setup

Misc Setup

Backlight ON

Firmware Revision

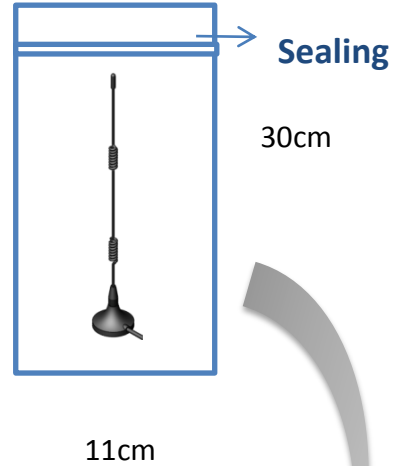
Meas Stop ExtRef Ready Svc 2016-03-03 09:47



The World Wide Leader in Antenna

Packaging

***1 pc Antenna
PE bag/ each**



**100 pcs per carton
Carton Dimensions:40*30*20cm**

