



*The World Wide Leader in Antenna*

# 2.4GHz Antenna

## WLD-7318RSM/F



Frequency : 2.4-2.5GHz

Gain : 3.5dBi

V.S.W.R : <2.0:1

Impedance : 50 ohm

Connector : RP SMA

Material : TPR

Length : 76 mm

Weight :  $\approx$  5g

Color : Black

Polarization : Vertical

Temperature : -20°C to +60°C

**EVERCOM COMMUNICAITON TECHNOLOGY CO., LTD.**

No.108 Jiesin St. Taoyuan District Taoyuan City 33063, Taiwan R.O.C.

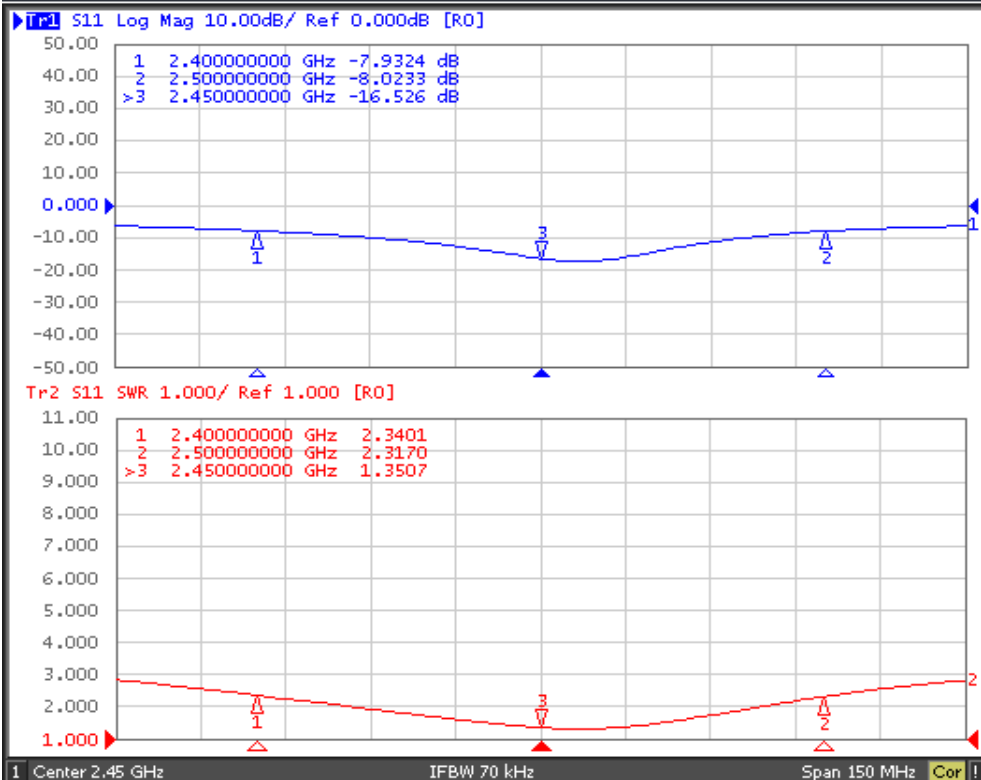
Tel: +886-3- 376- 5678 Fax: +886-3- 376- 5319 E-Mail: [service@evercomtech.com](mailto:service@evercomtech.com)



	EVERCOM COMMUNICATION TECHNOLOGY CO.; LTD		CHECKED BY	APPROVAL BY	DESIGNED BY	SCALE	UNIT
	MODEL NAME	MODEL NO.	WLD-7318L/SM		<i>Ben</i> 20181001	C.H.C 2018.09.18	2 : 1

Evercom Communication Technology Co., Ltd. Frequency Inspection Report

1 Active Ch/Trace 2 Response 3 Stimulus 4 Mkr/Analysis 5 Instr State



System

Print

Abort Printing

Printer Setup...

Invert Image ON

Dump Screen Image...

E5091A Setup

Misc Setup

Backlight ON

Firmware Revision

Meas Stop ExtRef Ready Svc 2018-10-19 14:48

Item No. :WG-WLD-7318L/SM

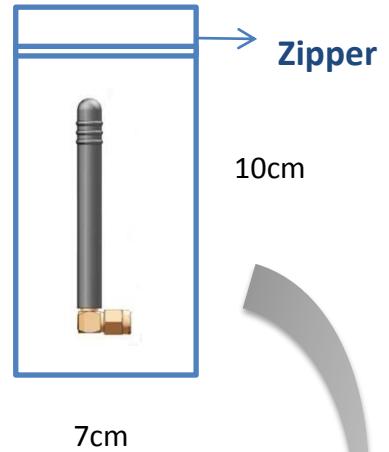
Inspector: Amber



*The World Wide Leader in Antenna*

# Packaging

**\*1 pc Antenna  
Zipper bag/ each**



**100 pcs per carton  
Carton Dimensions:50\*30\*20cm**

