

4G LTE

# 4G LTE Roof Antenna

## UMB-TU508



Frequency :700~2700MHZ

Gain : 7dBi

Connector : FME/F (Optional)

V.S.W.R : &lt;1.5:1

Impedance : 50 ohm

Cable : RG58 5M (Optional)

Length: 750 mm

Weight: 1kg

Material : Fiberglass

Polarization: Vertical

Color: Black or White

Mount: Roof Type

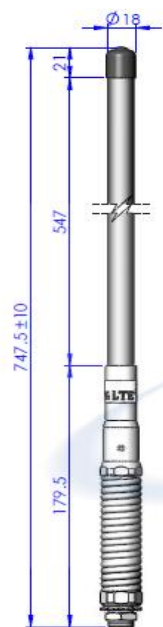
Temperature: -30°C to +80°C

Max. Power: 100W

© 2016 EVERCOM COMMUNICATION TECHNOLOGY CO., LTD.

No.108 Jiesin St. Taoyuan District Taoyuan City 33063, Taiwan R.O.C.

Tel: +886-3- 376- 5678 Fax: +886-3- 376- 5319 E-Mail: [service@evercomtech.com](mailto:service@evercomtech.com)



**EVERCOM**<sup>®</sup>  
COMMUNICATION



CABLE RG58A/U LENGTH 17.5ft

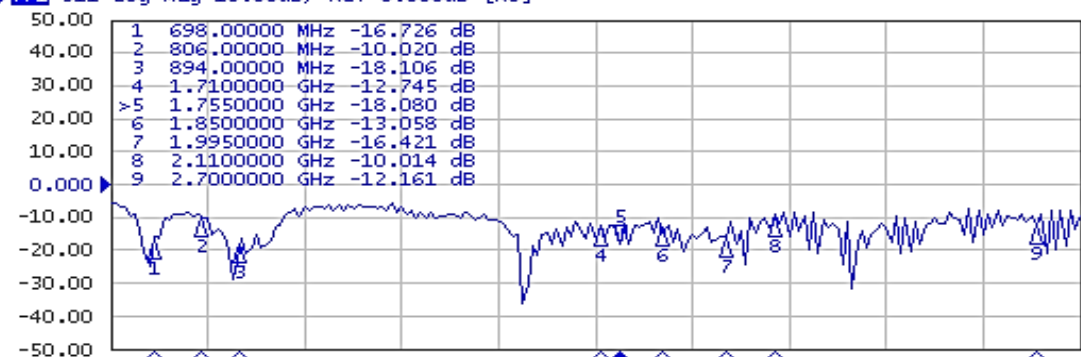
FME FEMALE

	EVERCOM COMMUNICATION TECHNOLOGY CO.; LTD			CHECKED BY	APPROVAL BY	DESIGNED BY	SCALE	UNIT
	MODEL NAME	MODEL NO.	UMB-TU508/58AFF5		<i>Ben</i> 20150717	C.H.C 2015.05.29	1 : 3	mm

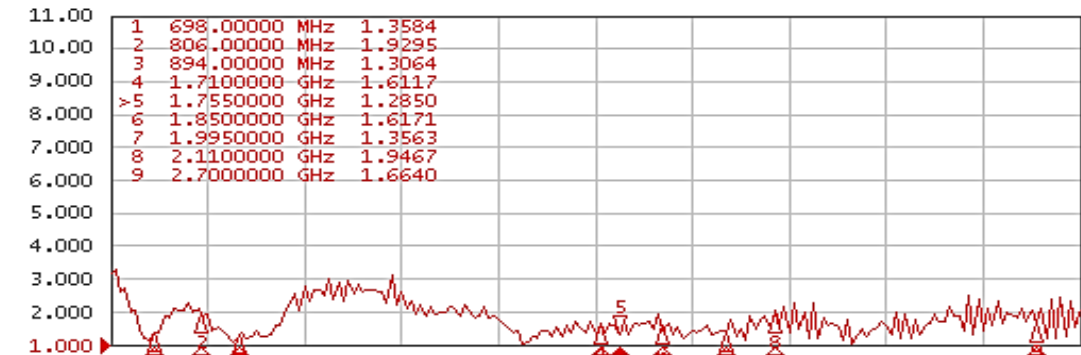
1 Active Ch/Trace 2 Response 3 Stimulus 4 Mkr/Analysis 5 Instr State

Evercom Communication Technology Co.,Ltd.

Tr1 S11 Log Mag 10.00dB/ Ref 0.000dB [R0]



Tr2 S11 SWR 1.000/ Ref 1.000 [R0]



1 Start 600 MHz IFBW 70 kHz Stop 2.8 GHz Cor |

System

Print

Abort Printing

Printer Setup...

Invert Image  
ON

Dump Screen Image...

Multiport Test Set Setup

Misc Setup

Backlight  
ON

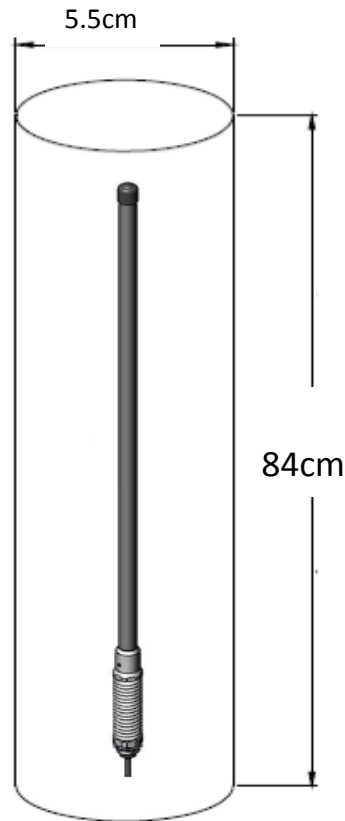
Firmware Revision

Meas Stop ExtRef Ready Svc 2015-10-30 09:01

4G LTE

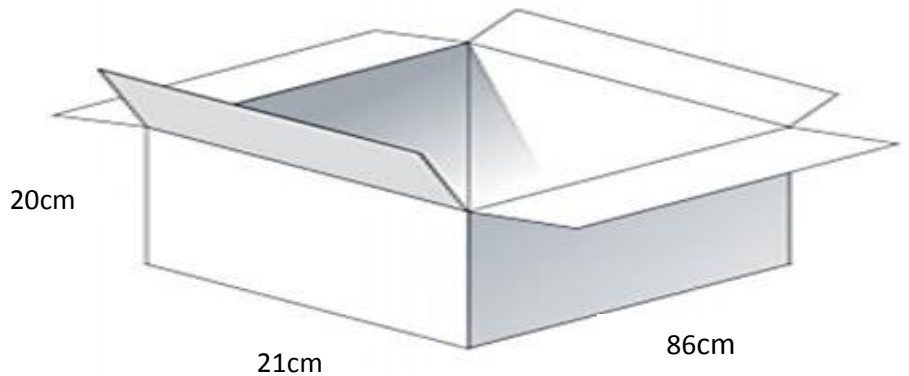
# Packaging

Antenna pack in a tube



10 PCS Per Carton

Carton Dimensions:86\*20\*21cm





4G LTE



# Antenna Applications

