

4G LTE

4G LTE Roof Antenna

UMB-TC-504L



Frequency :700~2700MHZ

Gain : 7dBi

Connector : FME/F (Optional)

V.S.W.R : <1.5:1

Impedance : 50 ohm

Cable : RG58 5M (Optional)

Length: 750 mm

Weight: 1.3kgs

Material : Fiberglass

Polarization: Vertical

Color: Black or White

Mount: Roof Type

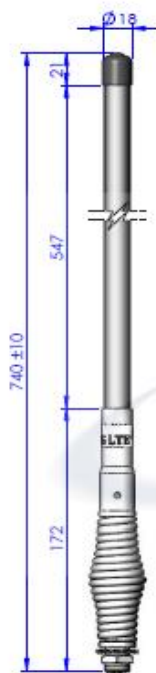
Temperature: -30°C to +80°C

Max. Power: 100W

© 2016 EVERCOM COMMUNICATIONS TECHNOLOGY CO., LTD.

No.108 Jiesin St. Taoyuan District Taoyuan City 33063, Taiwan R.O.C.

Tel: +886-3- 376- 5678 Fax: +886-3- 376- 5319 E-Mail: service@evercomtech.com



EVERCOM[®]
COMMUNICATION



CABLE RG58A/U LENGTH 6M

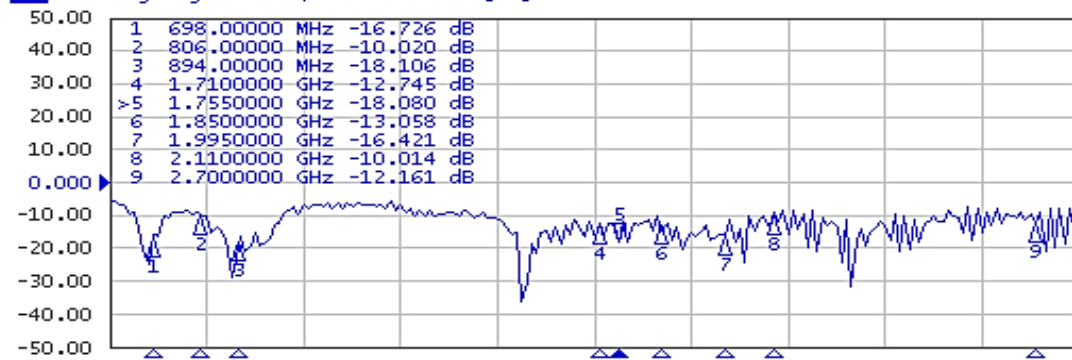
FME FEMALE

	EVERCOM COMMUNICATION TECHNOLOGY CO., LTD			CHECKED BY	APPROVAL BY	DESIGNED BY	SCALE	UNIT
	MODEL NAME	MODEL NO.	UMS-TC604LTH/68AFF6		<i>Ben</i> 20150723	C.H.C 2015.07.15	1 : 3	mm

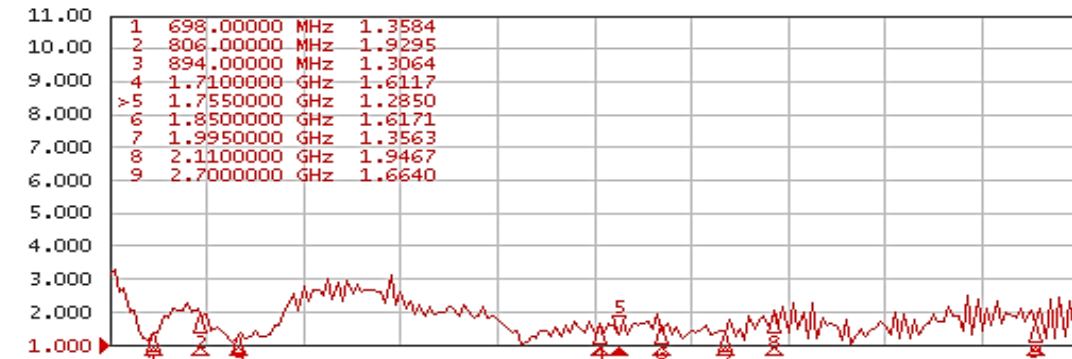
1 Active Ch/Trace 2 Response 3 Stimulus 4 Mkr/Analysis 5 Instr State

Evercom Communication Technology Co.,Ltd.

Tr1 S11 Log Mag 10.00dB/ Ref 0.000dB [R0]



Tr2 S11 SWR 1.000/ Ref 1.000 [R0]



1 Start 600 MHz IFBW 70 kHz Stop 2.8 GHz Cor |

Meas Stop ExtRef Ready Svc 2015-10-30 09:01

System

Print

Abort Printing

Printer Setup...

Invert Image

ON

Dump Screen Image...

Multiport Test Set Setup

Misc Setup

Backlight

ON

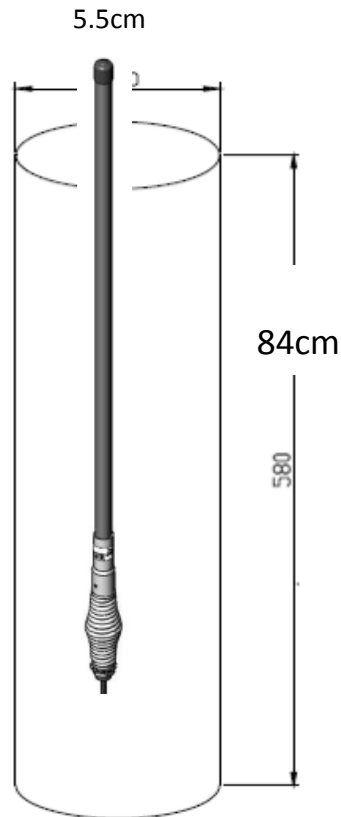
Firmware

Revision

4G LTE

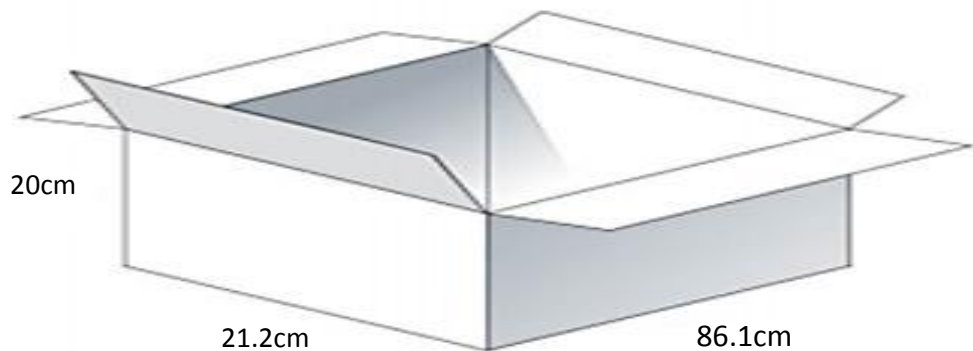
Packaging

Antenna pack in a tube



10 PCS Per Carton

Carton Dimensions:86.1*20*21.2cm



4G LTE

Antenna Applications

