

4G LTE

4G LTE Roof Antenna

UMB-TC228



Frequency : 700~2700MHZ

Gain : 7dBi

Connector : FME/F (Optional)

V.S.W.R : <1.5:1

Impedance : 50ohm

Cable : RG58 4.3M(Optional)

Length : 666mm

Weight : 340g

Material : Steel/Copper/TPR

Polarization : Vertical

Color : Black

Mounting : Roof Type

Temperature : -30°C to +80°C

Max. Power : 50W

© 2016 EVERCOM COMMUNICAITON TECHNOLOGY CO., LTD.

No.108 Jiesin St. Taoyuan District Taoyuan City 33063, Taiwan R.O.C.

Tel: +886-3- 376- 5678 Fax: +886-3- 376- 5319 E-Mail: service@evercomtech.com



ISO 9001



EVERCOM[®]
COMMUNICATION

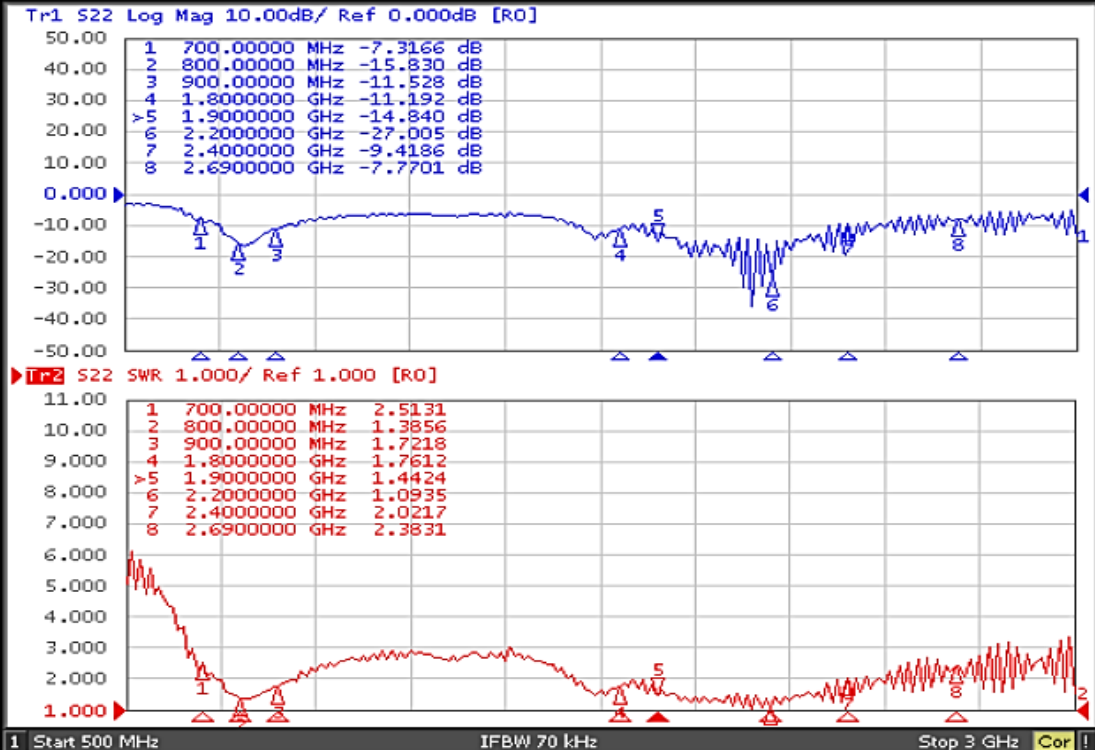
CABLE RG58/U LENGTH 4.3M

FME FEMALE



EVERCOM COMMUNICATION TECHNOLOGY CO.; LTD		CHECKED BY	APPROVAL BY	DESIGNED BY	SCALE	UNIT
MODEL NAME	MODEL NO.				1 : 3	mm
	UMB-TC228FME-F4.3		<i>Ben</i> 20170424	C.H.C 2016.04.21		

1 Active Ch/Trace 2 Response 3 Stimulus 4 Mkr/Analysis 5 Instr State



System

Print

Abort Printing

Printer Setup...

Invert Image
ON

Dump
Screen Image...

Multiport Test Set
Setup

Misc Setup

Backlight
ON

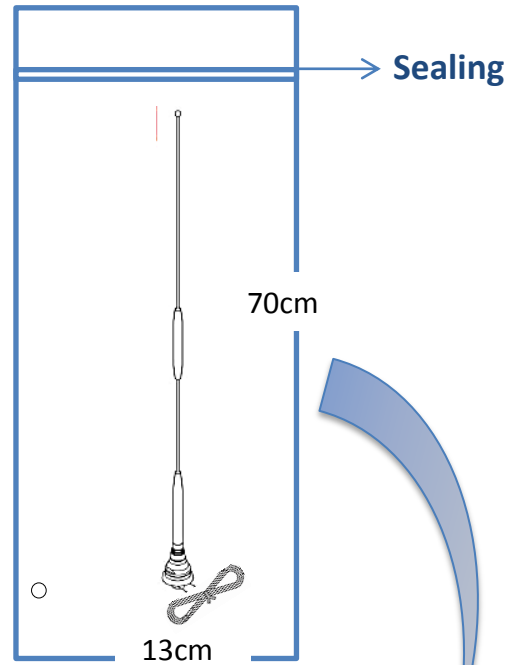
Firmware
Revision

Meas Stop ExtRef Ready Svc 2017-04-18 13:54

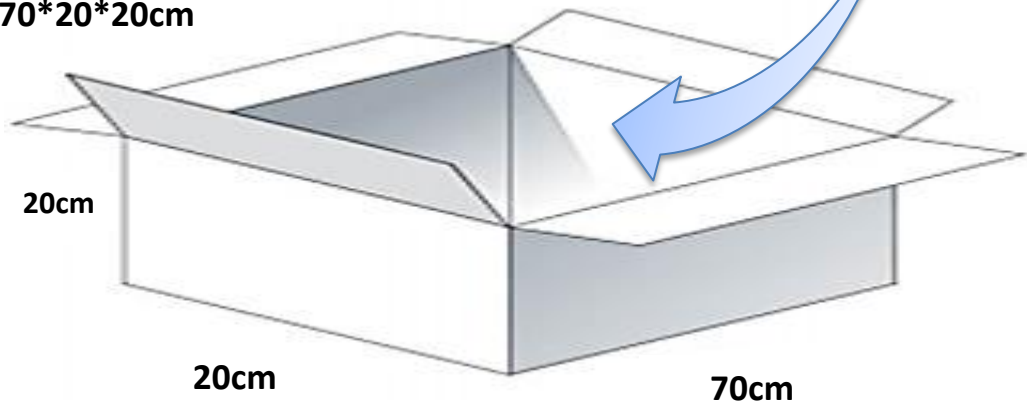
4G LTE

Packaging

*1 pcs Antenna PE bag/ each



*25 pcs Bulk /per carton
Carton Dimensions:70*20*20cm



4G LTE

Antenna Applications

