

4G LTE

# 4G LTE OMNI Directional Antenna

## UMB-OM-48NF



Frequency :700~2700MHZ

Gain : 5dBi

Connector : N-Female

V.S.W.R : &lt;2:1

Impedance : 50 ohm

Cable : N/A

Length: 460mm

Weight: 500g

Material : Fiberglass/ Copper

Polarization: Vertical

Color: White

Mounting : L Type Mount

Temperature: -30°C to +80°C

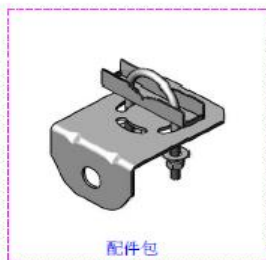
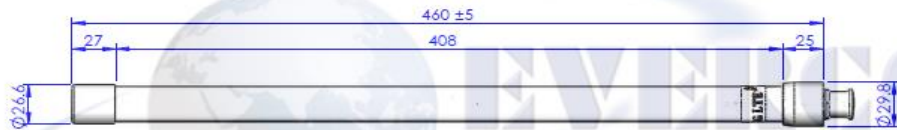
Max. Power: 50W

Light Port: DC Ground

© 2016 EVERCOM COMMUNICATION TECHNOLOGY CO., LTD.

No.108 Jiesin St. Taoyuan District Taoyuan City 33063, Taiwan R.O.C.

Tel: +886-3- 376- 5678 Fax: +886-3- 376- 5319 E-Mail: [service@evercomtech.com](mailto:service@evercomtech.com)



EVERCOM COMMUNICATION TECHNOLOGY CO.; LTD

CHECKED BY

APPROVAL BY

DESIGNED BY

SCALE

UNIT

MODEL NAME

MODEL NO.

UMB-OM48NF

Ben  
20150717

C.H.C  
2014.03.04

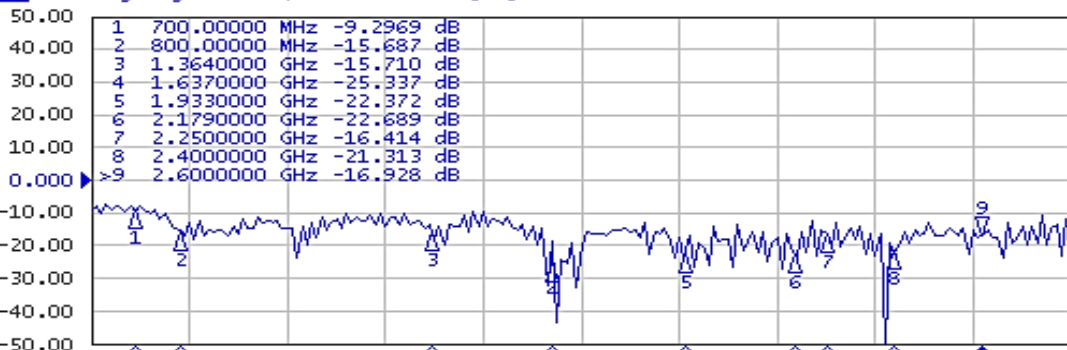
1 : 3

mm

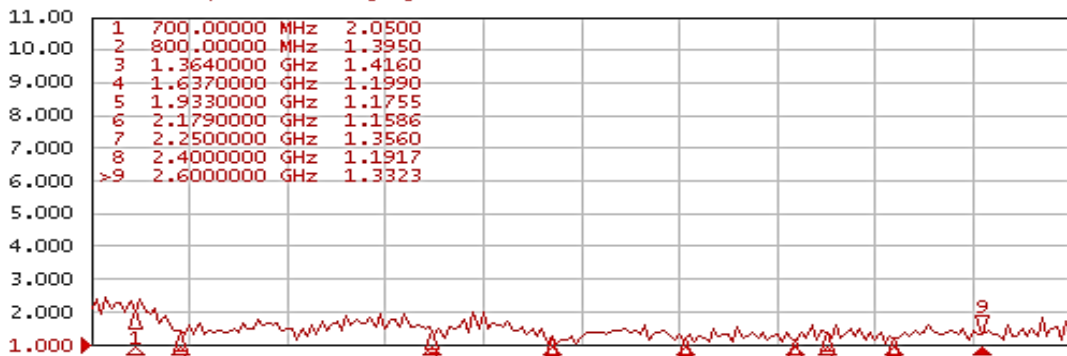
1 Active Ch/Trace 2 Response 3 Stimulus 4 Mkr/Analysis 5 Instr State

Evercom Communication Technology Co.,Ltd.

▶ Tr1 S11 Log Mag 10.00dB/ Ref 0.000dB [R0]



Tr2 S11 SWR 1.000/ Ref 1.000 [R0]



1 Start 600 MHz

IFBW 70 kHz

Stop 2.8 GHz Cor

Meas Stop ExtRef Ready Svc 2015-05-07 09:45

System

Print

Abort Printing

Printer Setup...

Invert Image

ON

Dump

Screen Image...

Multiport Test Set

Setup

Misc Setup

Backlight

ON

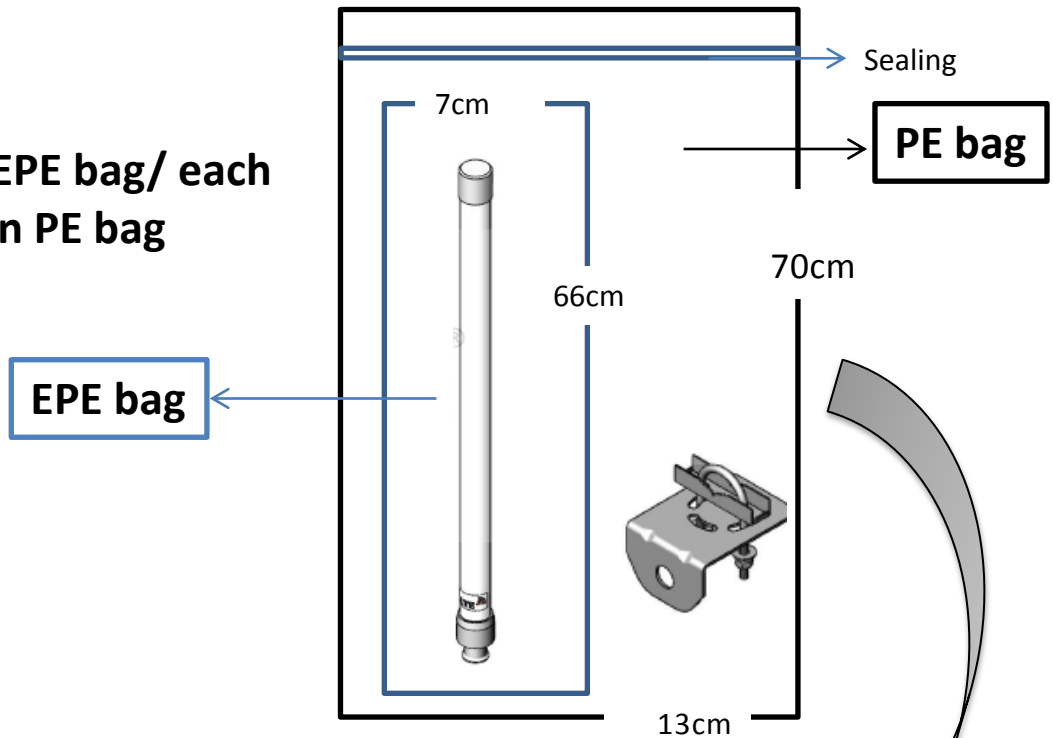
Firmware

Revision

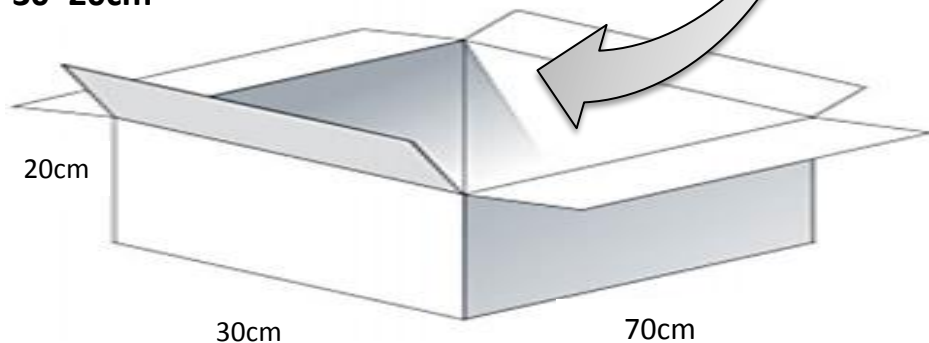
4G LTE

# Packaging

1 pcs Antenna EPE bag/ each  
1\*Bracket put in PE bag



10 PCS Per Carton  
Carton Dimensions:70\*30\*20cm



4G LTE



# Antenna Applications

