

4G LTE

# 4G LTE/GPS/GSM Combo Antenna



## UMB-GPM26W

Frequency :698-806/806-894/1575.42/1710-1755/1850-1995/2110-2700MHZ

Gain : 3dBi

Connector : FME/ SMA (Optional)

V.S.W.R : <2.5:1

Impedance : 50 ohm

Cable: RG58

Weight: 560g

Material : ABS Polymer

Polarization: Vertical

Color: Black/ White

Mounting : Roof Type

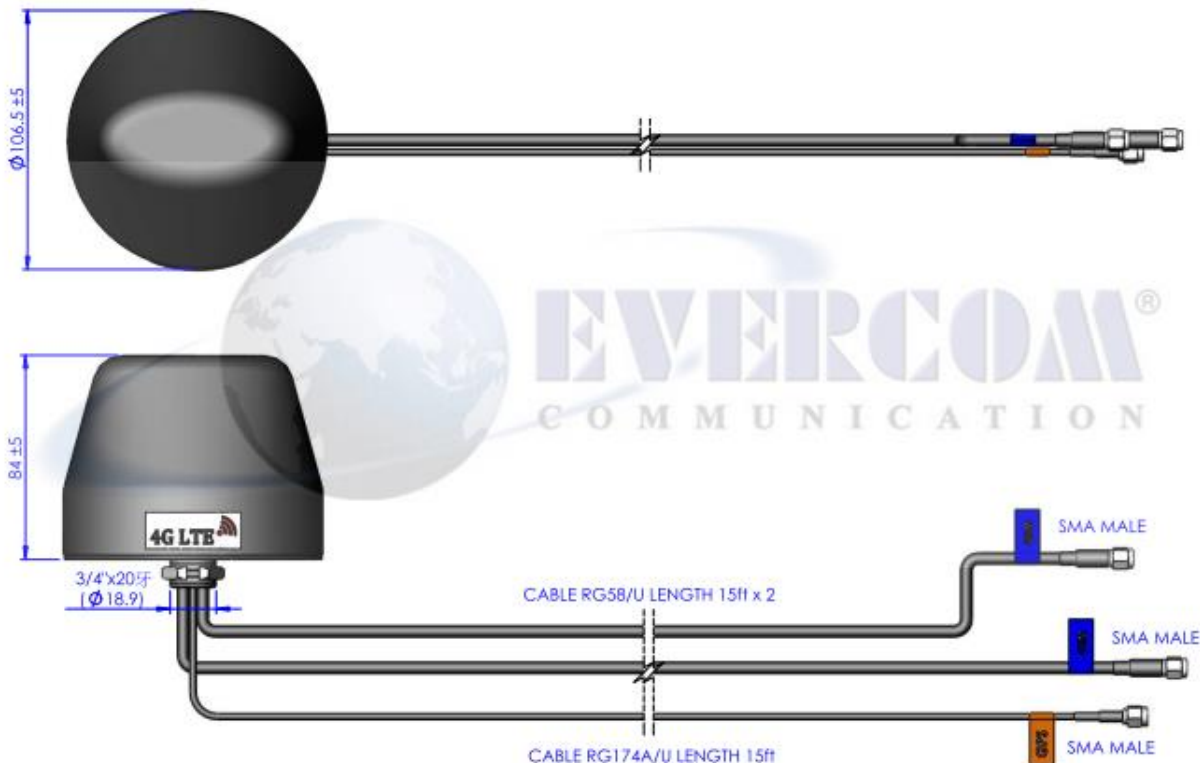
Temperature: -30°C to + 80°C

Dimension:  $\varnothing$ 106 x 84.5mm

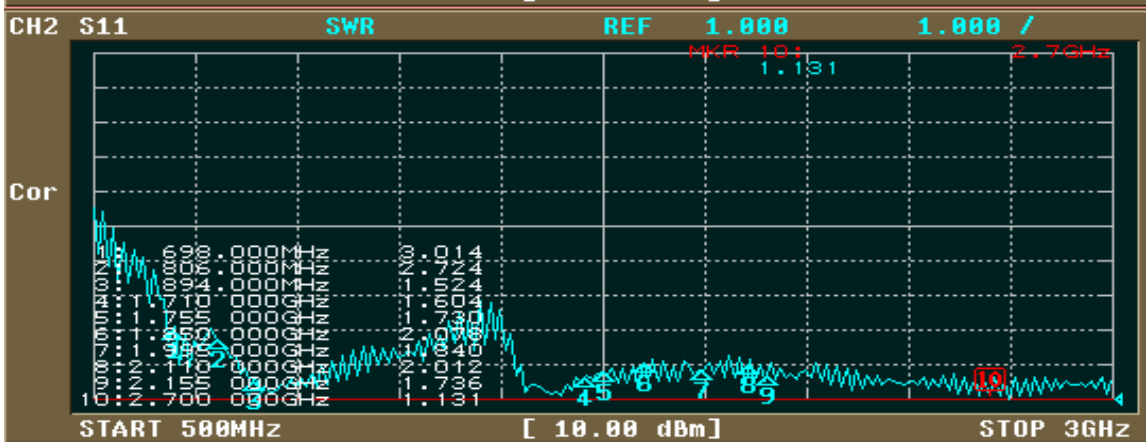
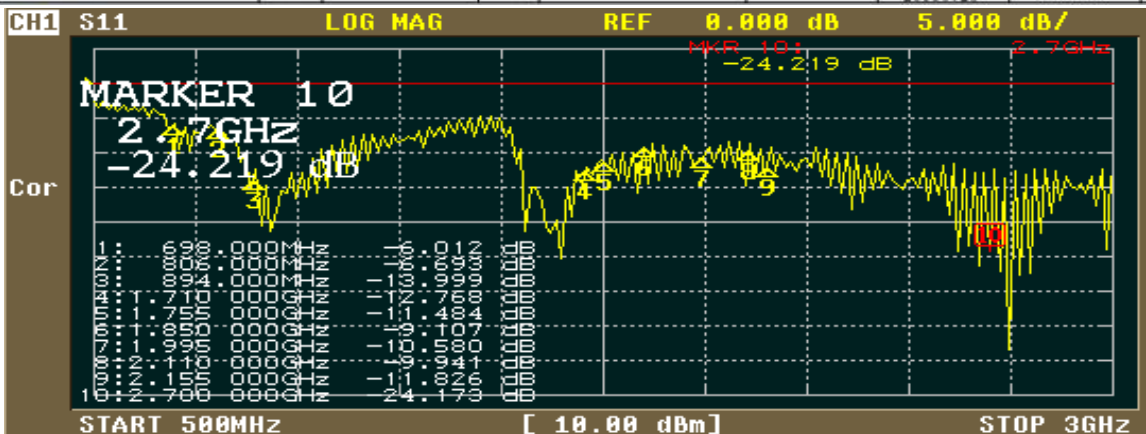
© 2016 EVERCOM COMMUNICATIONS TECHNOLOGY CO., LTD.

No.108 Jiesin St. Taoyuan District Taoyuan City 33063, Taiwan R.O.C.

Tel: +886-3- 376- 5678 Fax: +886-3- 376- 5319 E-Mail: [service@evercomtech.com](mailto:service@evercomtech.com)



	EVERCOM COMMUNICATION TECHNOLOGY CO; LTD			CHECKED BY	APPROVAL BY	DESIGNED BY	SCALE	UNIT
	MODEL NAME	MODEL NO.	UMB-GPM26BSM4.5/SM4.5/SM4.5		<i>Ben</i>	C.H.C	1:2	mm



BITMAP FILE

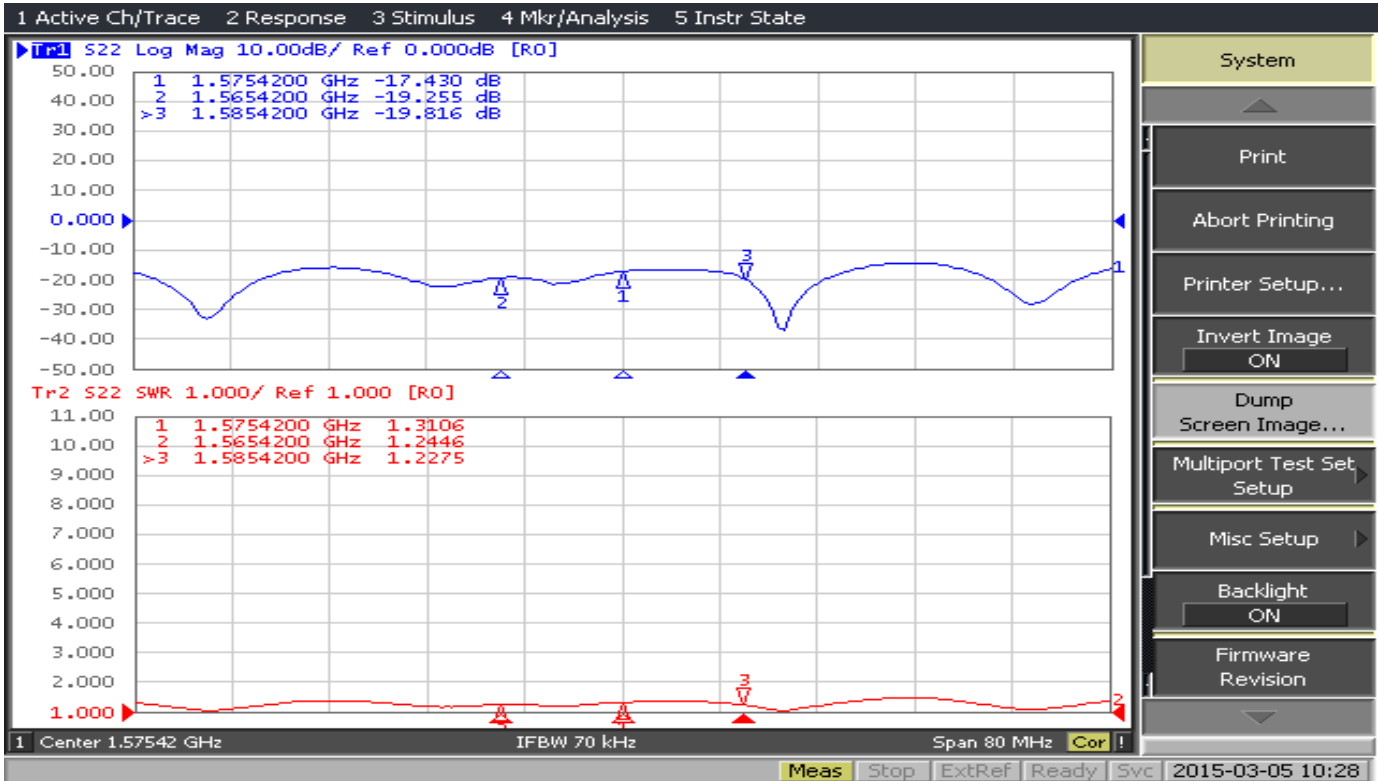
SAVE TO DISK

COMPRESSION  ON  OFF

TRUNCATE  ON  OFF

Return

# 4G LTE



System

Print

Abort Printing

Printer Setup...

Invert Image ON

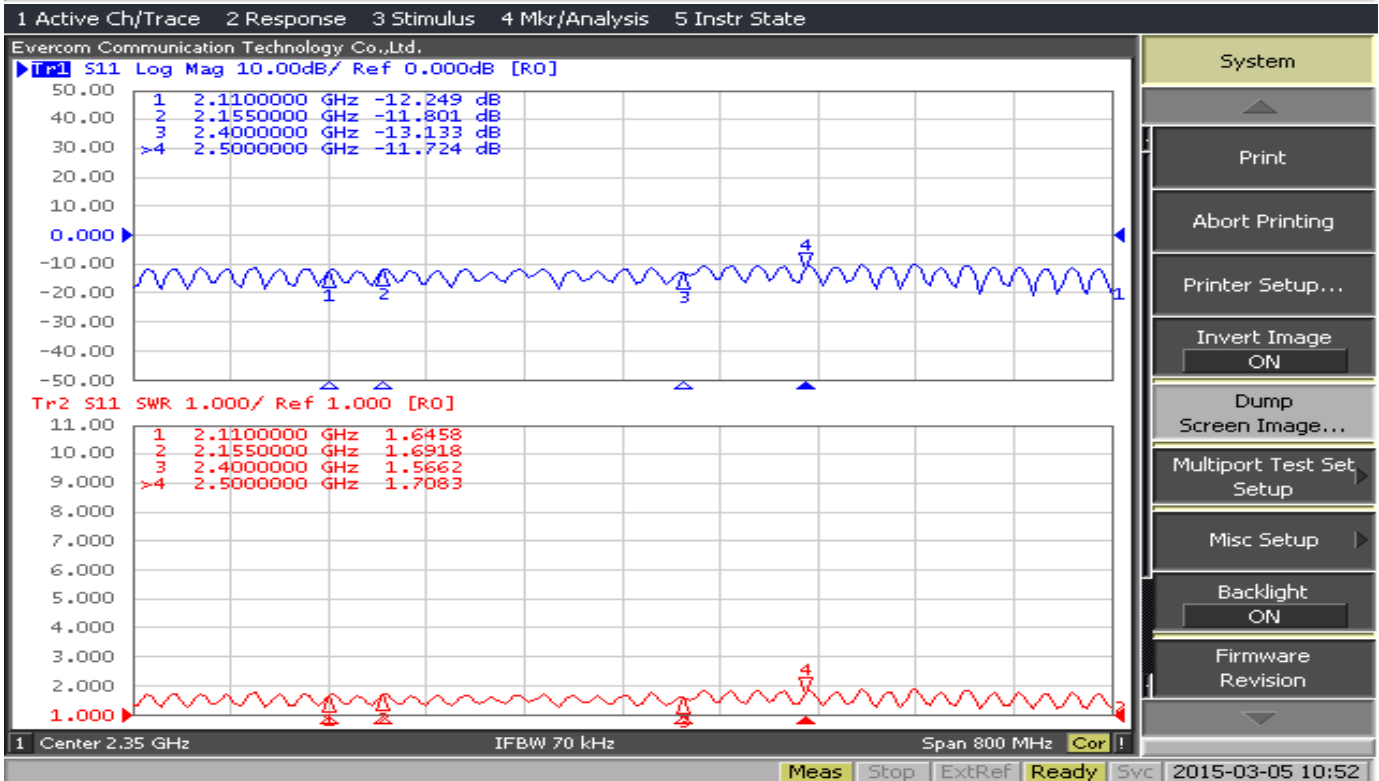
Dump Screen Image...

Multiport Test Set Setup

Misc Setup

Backlight ON

Firmware Revision



System

Print

Abort Printing

Printer Setup...

Invert Image ON

Dump Screen Image...

Multiport Test Set Setup

Misc Setup

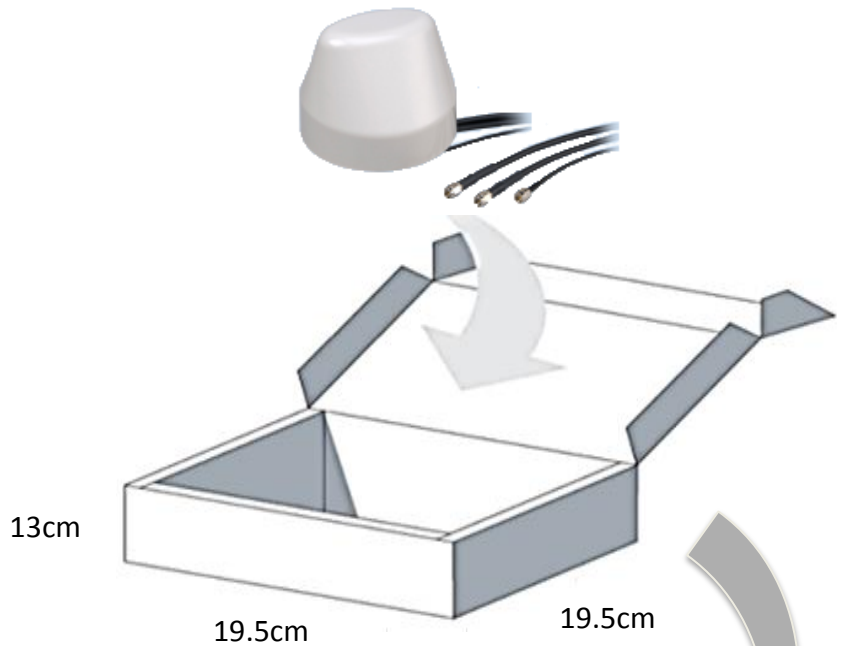
Backlight ON

Firmware Revision

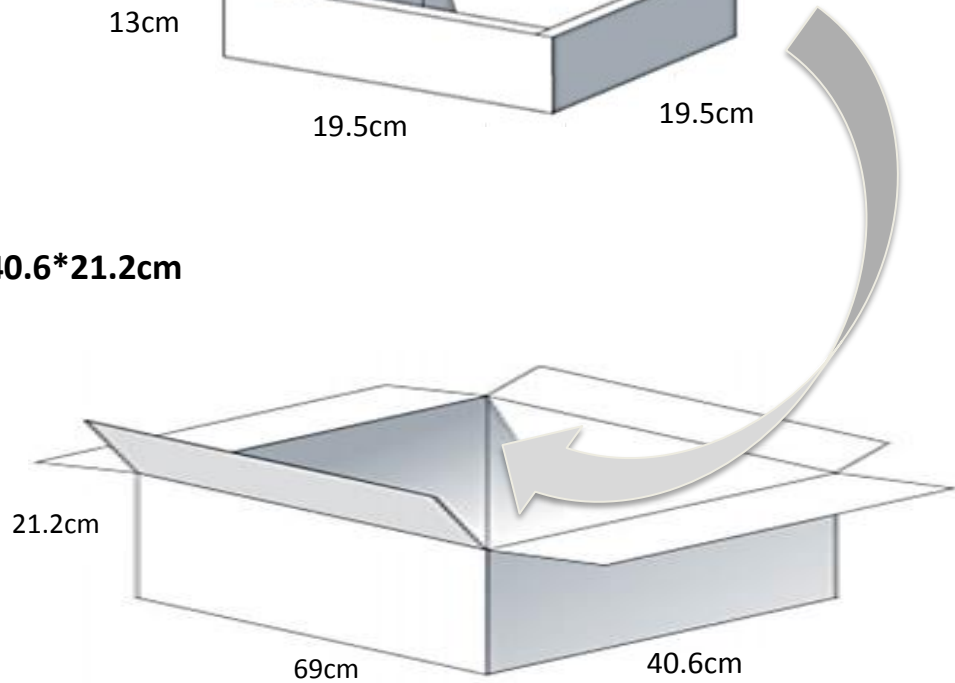
4G LTE

## Packaging

Each antenna pack in a  
inner white box



10 PCS Per Carton  
Carton Dimensions:69\*40.6\*21.2cm



**4G LTE**



## **Antenna Applications**

