

4G LTE

4G LTE Ceiling Antenna

UMB-CIL22NF



Frequency : 698~960/1710~2700MHZ

Gain : 1.5dBi / 5dBi

V.S.W.R : <1.8:1/<1.5:1

Impedance : 50 ohm

Connector : N/F

Cable : RG-142/30cm

Material : ABS UV

Dimensions : 186 x 85mm

Color : Ivory White

Power : 50W

Weight : 280g

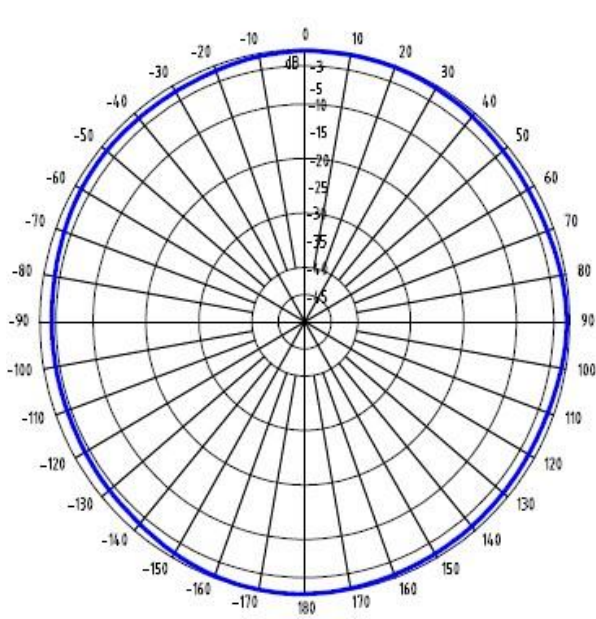
Light Port : DC Ground

Temperature : -40°C to +60°C

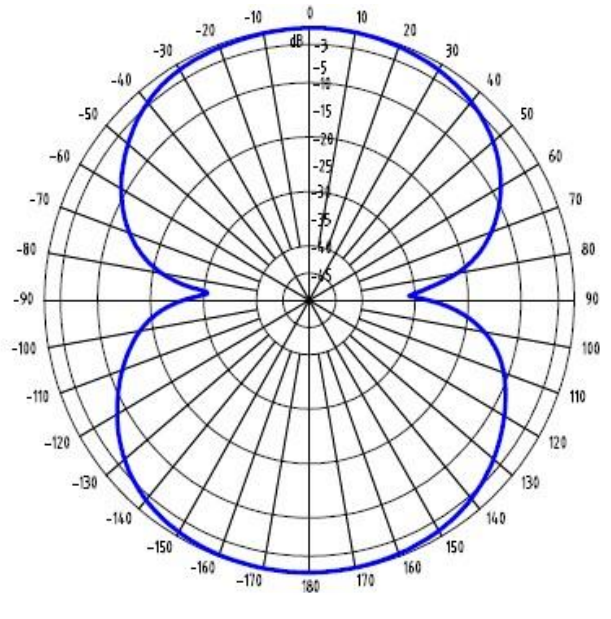
EVERCOM COMMUNICATIONS TECHNOLOGY CO., LTD.

No.108 Jiesin St. Taoyuan District Taoyuan City 33063, Taiwan R.O.C.

Tel: +886-3- 376- 5678 Fax: +886-3- 376- 5319 E-Mail: service@evercomtech.com



H

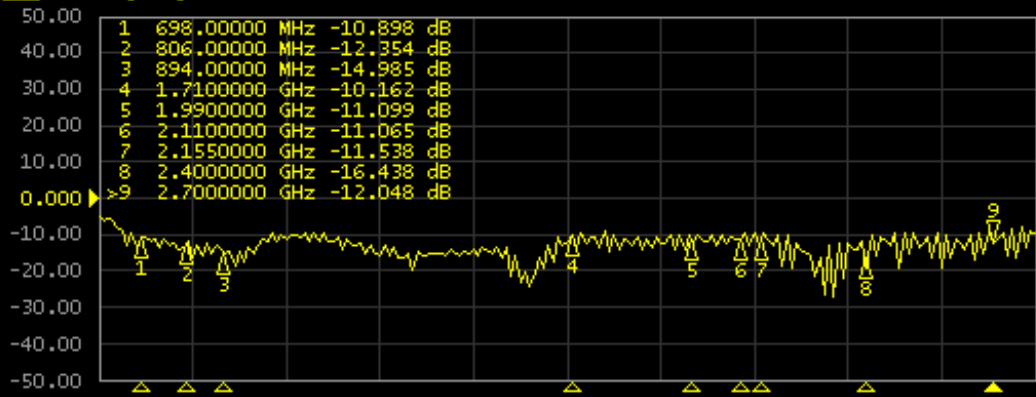


V

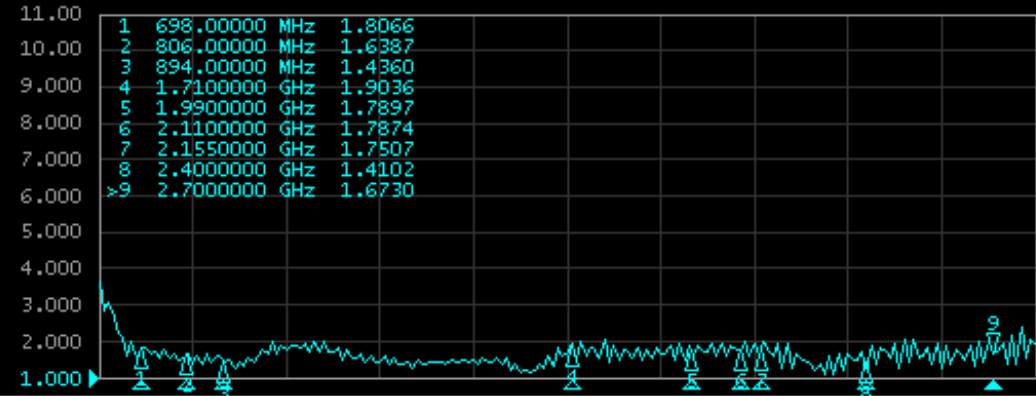
1 Active Ch/Trace 2 Response 3 Stimulus 4 Mkr/Analysis 5 Instr State

Evercom Communication Technology Co.,Ltd.

Tr1 S11 Log Mag 10.00dB/ Ref 0.000dB [R0]



Tr2 S11 SWR 1.000/ Ref 1.000 [R0]



1 Start 600 MHz

IFBW 70 kHz

Stop 2.8 GHz Cor |

System



Print

Abort Printing

Printer Setup...

Invert Image

ON

Dump

Screen Image...

Multiport Test Set

Setup

Misc Setup

Backlight

ON

Firmware

Revision



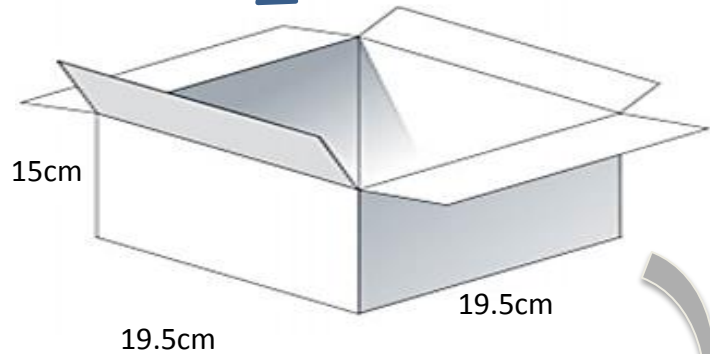
4G LTE

Packaging

Antenna pack in a poly bag

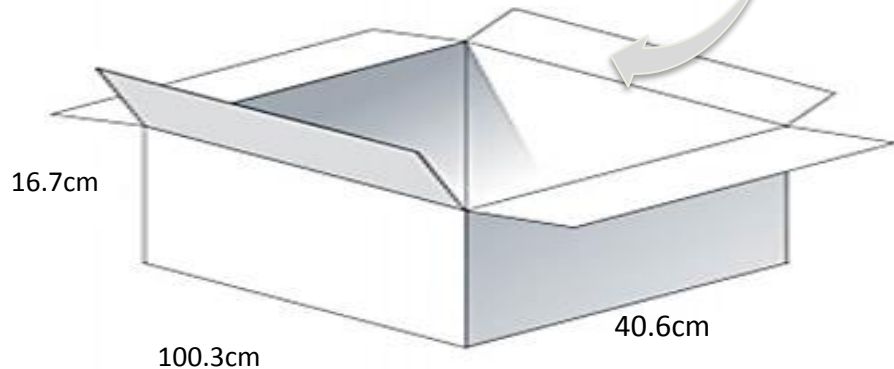
A set of antenna put in an inner box

20cm



10 PCS Per Carton

Carton Dimensions: 100.3*40.6*16.7cm



4G LTE

Antenna Applications



(Indoor ceiling Antenna)

