



The World Wide Leader in Antenna

GSM Antenna

TC-9405



Frequency : 900/ 1800 MHZ

Gain : 3dB

Connector : SMA/Male (Optional)

V.S.W.R : <1.5:1

Impedance : 50 ohm

Cable : RG174 (Optional)

Length : 188mm

Weight : ≐ 225 g

Material : ABS/ Steel

Polarization : Vertical

Color : Black

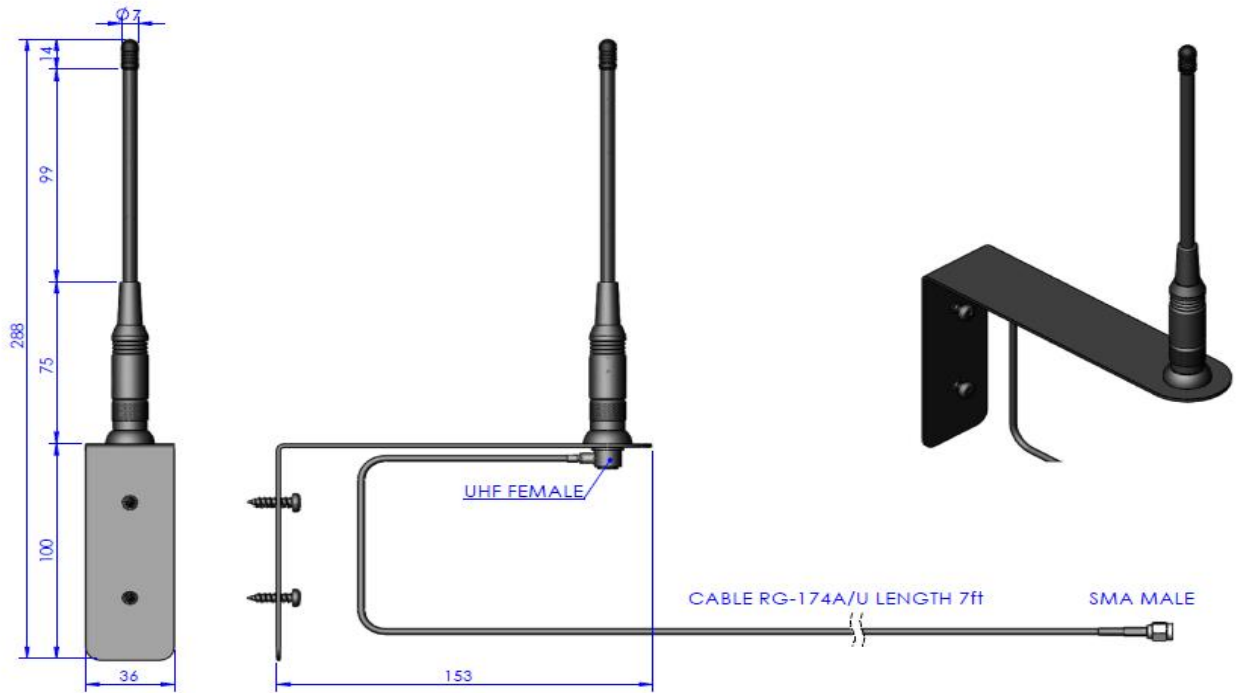
Mounting : Wall Mount

Temperature : -20°C ~ +60°C

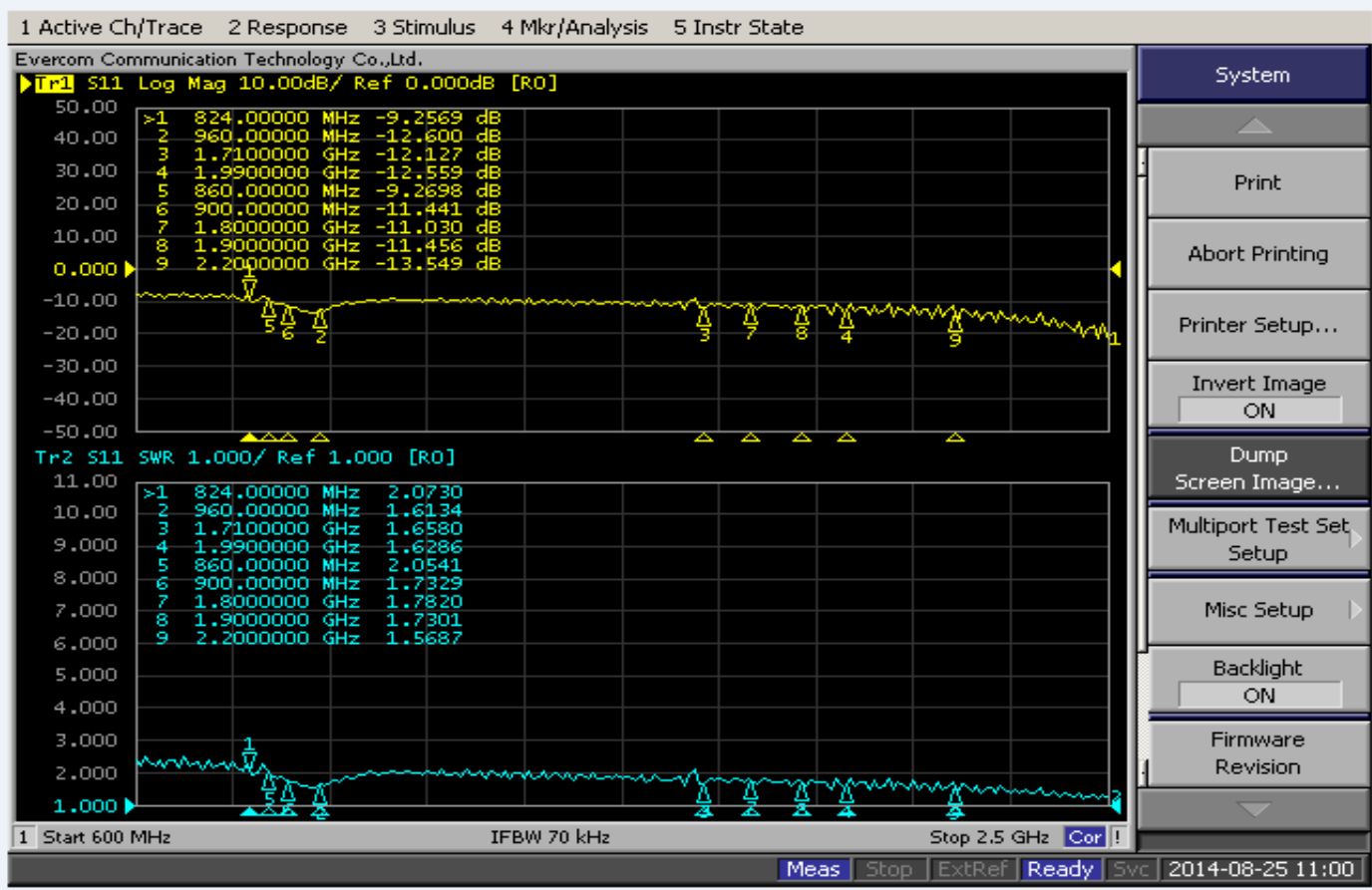
EVERCOM COMMUNICAITON TECHNOLOGY CO., LTD.

No.108 Jiesin St. Taoyuan District Taoyuan City 33063, Taiwan R.O.C.

Tel: +886-3- 376- 5678 Fax: +886-3- 376- 5319 E-Mail: service@evercomtech.com



	EVERCOM COMMUNICATION TECHNOLOGY CO.; LTD			CHECKED BY	APPROVAL BY	DESIGNED BY	SCALE	UNIT
	MODEL NAME		MODEL NO.	TC-9405SMA-M2			C.H.C 2011.08.01	1 : 2



System

Print

Abort Printing

Printer Setup...

Invert Image
ON

Dump
Screen Image...

Multiport Test Set
Setup

Misc Setup

Backlight
ON

Firmware
Revision



The World Wide Leader in Antenna

Packaging

***1 pc Antenna
PE bag / each**

**50 pcs per carton
Carton Dimensions: 40*30*20cm**

