



The World Wide Leader in Antenna



GSM Antenna

TC-8805



Frequency : 824~960/ 1800 MHZ

Gain : 3dB

Connector : SMA/ Male (Optional)

V.S.W.R : <1.5:1

Impedance : 50 ohm

Length : 200mm

Weight : 120g

Material : ABS/ Steel

Polarization : Vertical

Color : Black

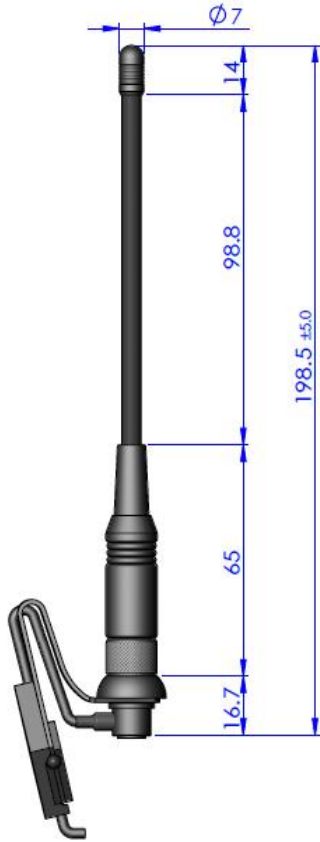
Mounting : Clip

EVERCOM COMMUNICAITON TECHNOLOGY CO., LTD.

No.108 Jiesin St. Taoyuan District Taoyuan City 33063, Taiwan R.O.C.

Tel: +886-3- 376- 5678 Fax: +886-3- 376- 5319 E-Mail: service@evercomtech.com

DATE	DESCRIPTION	REV
2021.04.29	First drawing	A



EVERCOM COMMUNICATION TECHNOLOGY CO; LTD

CHECKED BY

APPROVAL BY

DESIGNED BY

SCALE

UNIT

MODEL NO.

TC-8805

Y.W.C
2021.04.29

1:2

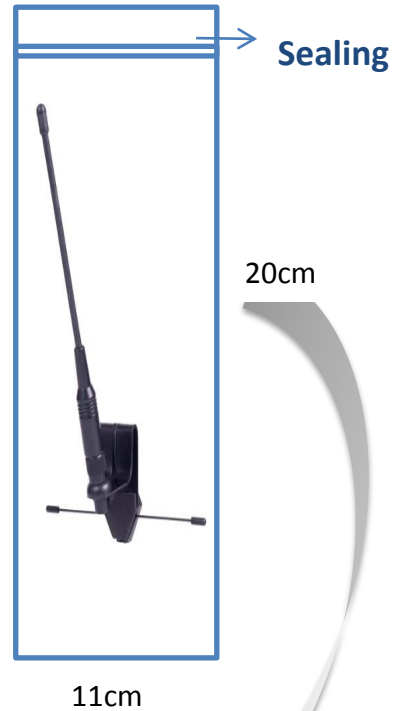
mm



The World Wide Leader in Antenna

Packaging

***1 pc Antenna
PE bag/ each**



**100 pcs per carton
Carton Dimensions: 40*30*20cm**

