



The World Wide Leader in Antenna

GSM Antenna

TC-1323

Frequency : 824-960/ 1710-1990/2200 MHz

Gain : 3dB

V.S.W.R : <1.5:1

Impedance: 50 ohm

Connector : SMA/ Male (Optional)

Cable : RG58 3M (Optional)

Material : SUS/TPR/ Steel

Length: 118mm

Weight: 220g

Color: Black

Polarization: Vertical

Mount: Magnet Type

Temperature: -20°C ~60°C



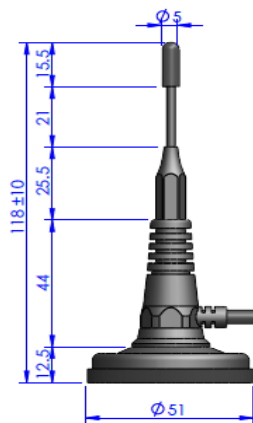
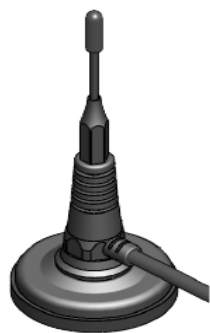
EVERCOM COMMUNICAITON TECHNOLOGY CO., LTD.

No.108 Jiesin St. Taoyuan District Taoyuan City 33063, Taiwan R.O.C.

Tel: +886-3- 376- 5678 Fax: +886-3- 376- 5319 E-Mail: service@evercomtech.com



ISO 9001



CABLE RG-58/U LENGTH 10ft

SMA MALE



EVERCOM COMMUNICATION TECHNOLOGY CO.; LTD				CHECKED BY	APPROVAL BY	DESIGNED BY	SCALE	UNIT
MODEL NAME		MODEL NO.	TC-1323T-58SMA-M3			C.H.C 2011.06.27	1:1.5	mm

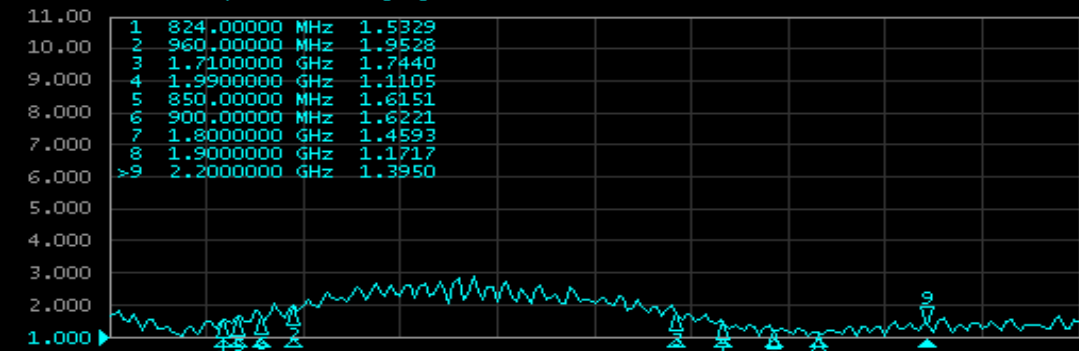
1 Active Ch/Trace 2 Response 3 Stimulus 4 Mkr/Analysis 5 Instr State

Evercom Communication Technology Co.,Ltd.

▶ Tr1 S11 Log Mag 10.00dB/ Ref 0.000dB [R0]



Tr2 S11 SWR 1.000/ Ref 1.000 [R0]



1 Start 600 MHz

IFBW 70 kHz

Stop 2.5 GHz

Cor

Meas Stop ExtRef Ready Svc 2012-02-10 13:31

System

Print

Abort Printing

Printer Setup...

Invert Image

ON

Dump

Screen Image...

Multiport Test Set

Setup

Misc Setup

Backlight

ON

Firmware

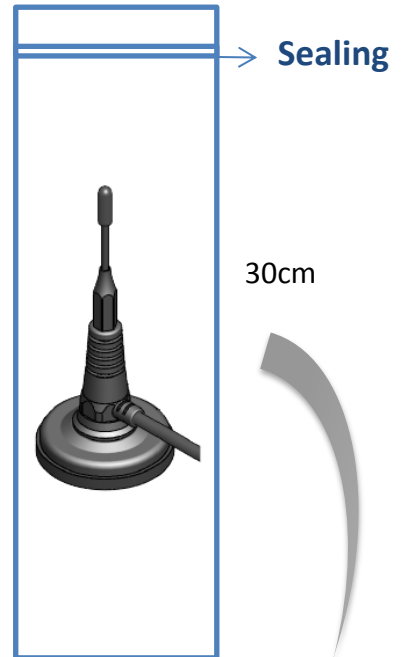
Revision



The World Wide Leader in Antenna

Packaging

***1 pc Antenna
PE bag/ each**



**25 pcs per carton
Carton Dimensions: 40*20*20cm**

