



*The World Wide Leader in Antenna*

# GSM Antenna

## TC-110



Frequency : 824-960 /1710-1990/2200MHZ

Gain : 5dB

V.S.W.R : <1.5:1

Impedance: 50 ohm

Connector : SMA/Male (Optional)

Cable : RG174 3M (Optional)

Material : Steel/ ABS

Length: 241mm

Weight: 64g

Color: Black

Polarization: Vertical

Mount: Magnet Type

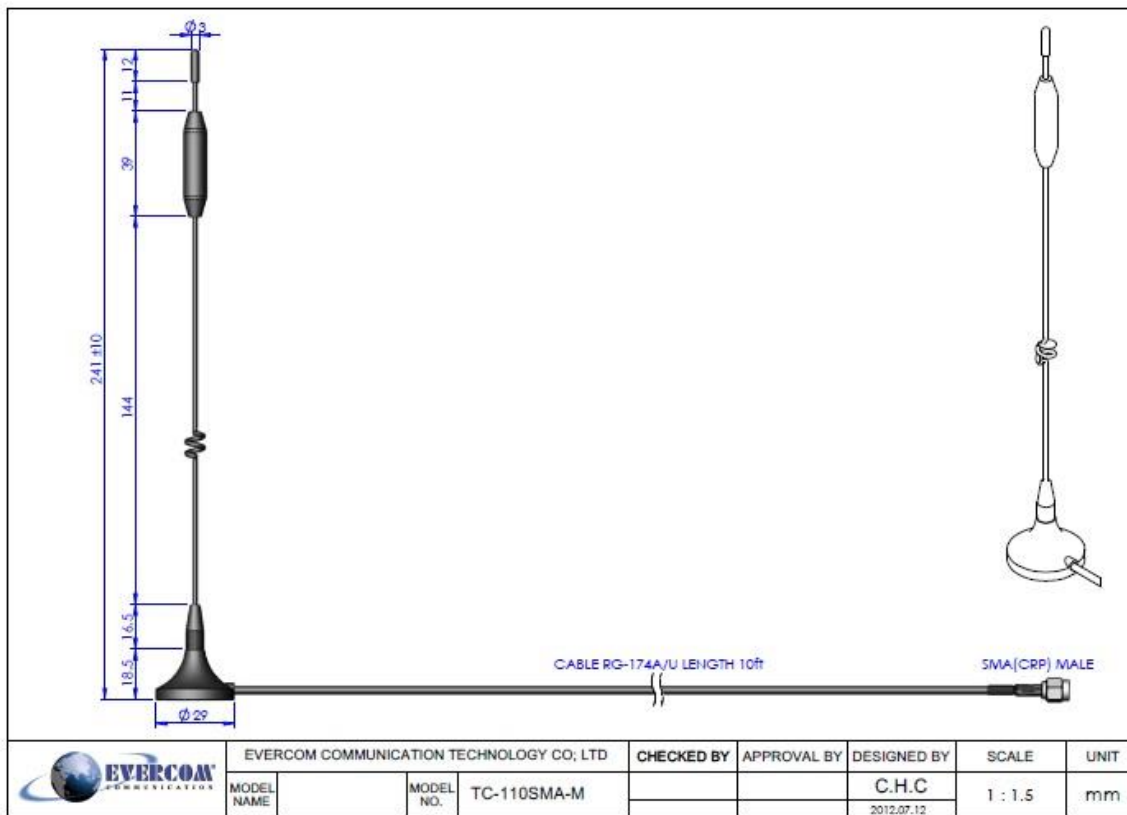
Temperature:-20°C to +60°C

Max. Power: 10W

**EVERCOM COMMUNICAITON TECHNOLOGY CO., LTD.**

No.108 Jiesin St. Taoyuan District Taoyuan City 33063, Taiwan R.O.C.

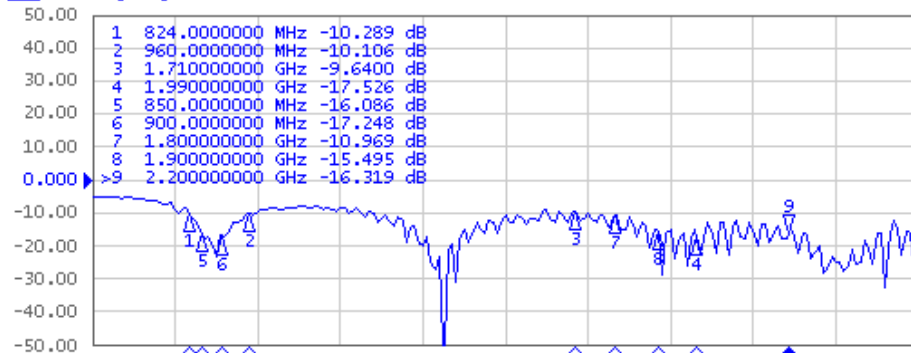
Tel: +886-3- 376- 5678 Fax: +886-3- 376- 5319 E-Mail: [service@evercomtech.com](mailto:service@evercomtech.com)



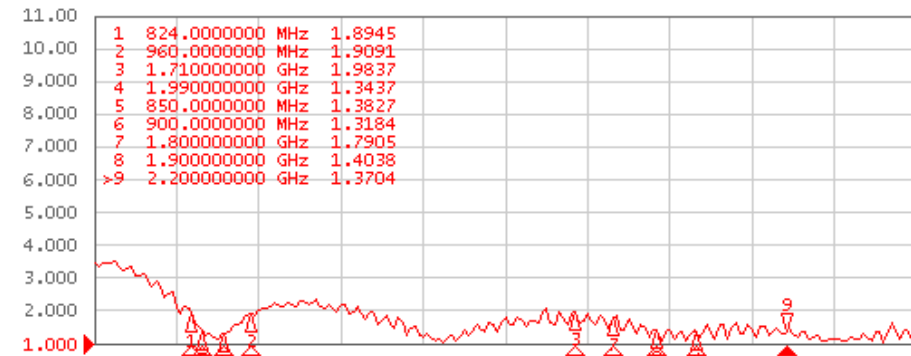
### Evercom Communication Technology Co., Ltd. Frequency Inspection Report

1 Active Ch/Trace 2 Response 3 Stimulus 4 Mkr/Analysis 5 Instr State

Tr1 S11 Log Mag 10.00dB/ Ref 0.000dB [R0]



Tr2 S11 SWR 1.000/ Ref 1.000 [R0]



1 Start 600 MHz IFBW 70 kHz Stop 2.5 GHz Cor!

Meas Stop ExtRef Ready Svc 2018-09-05 14:35

Item No. :FG-TC-110SMA-M

Inspector: Amber

System

Print

Abort Printing

Printer Setup...

Invert Image ON

Dump Screen Image...

E5091A Setup

Misc Setup

Backlight ON

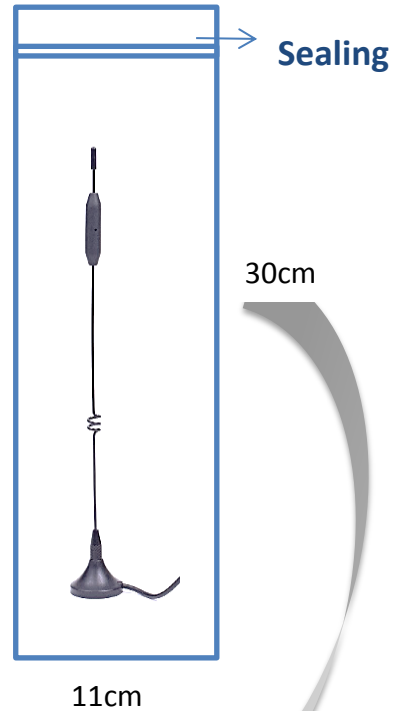
Firmware Revision



*The World Wide Leader in Antenna*

# Packaging

**\*1 pc Antenna  
PE bag/ each**



**100 pcs per carton  
Carton Dimensions:40\*30\*20cm**

