



The World Wide Leader in Antenna

2.4G Antenna

PANEL-15SF



Frequency : 2.4-2.5GHz

Gain : 12dBi

V.S.W.R : <2.0:1

Impedance : 50 ohm

Connector : SMA Female

Material : ABS Polymer

Weight : ≈ 570g

Dimension : 275 X 275mm

Polarization : Linear (H) or (V)

Color : Light Gray

Mount : AC-PHOLD/KIT

Max Power : 100W

Wind Load 100 km/h

Lightning Protection : DC ground

Horizontal Beam width : 36 degree

Vertical Beam width : 36 degree

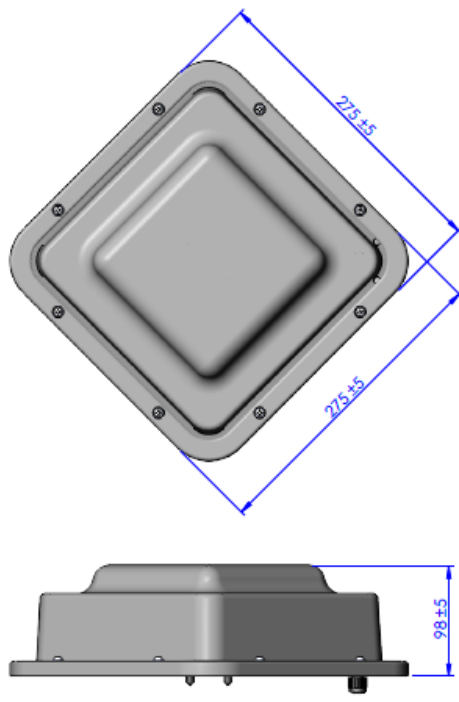
Temperature : -20°C to +60°C

EVERCOM COMMUNICAITON TECHNOLOGY CO., LTD.

No.108 Jiesin St. Taoyuan District Taoyuan City 33063, Taiwan R.O.C.

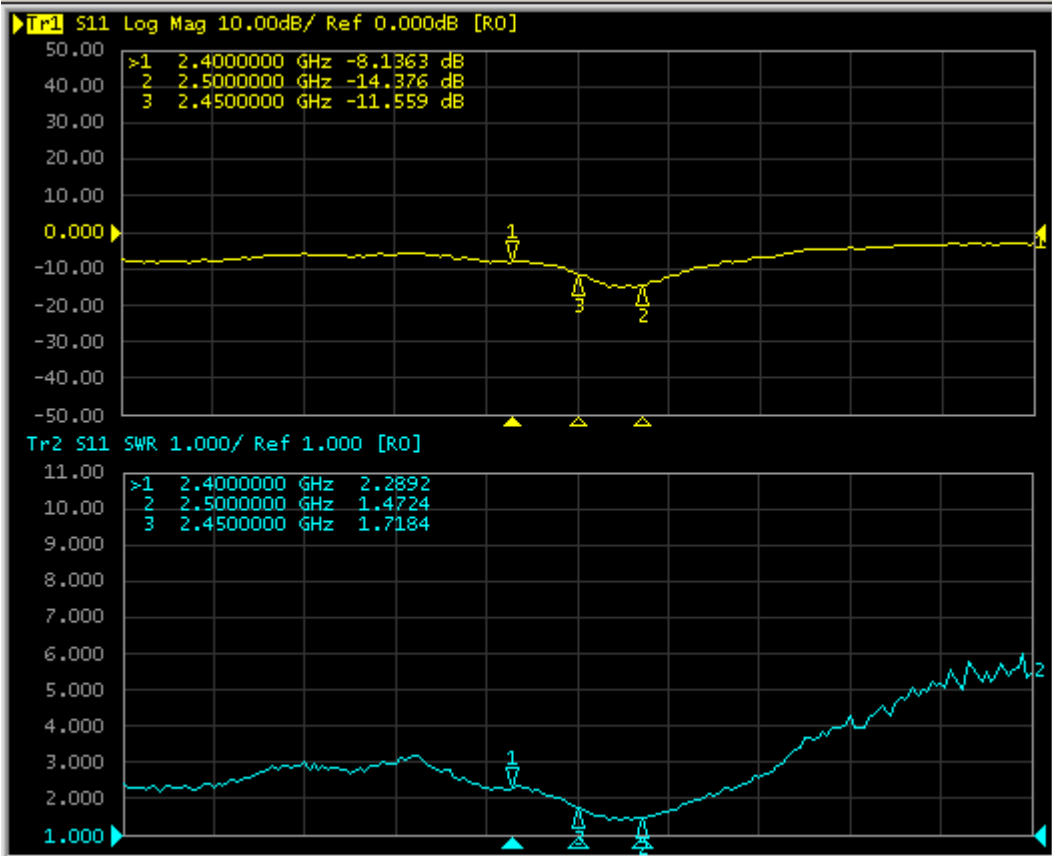
Tel: +886-3- 376- 5678 Fax: +886-3- 376- 5319 E-Mail: service@evercomtech.com

DATE	DESCRIPTION	REV
2021.10.18	DRAFT	B



	EVERCOM COMMUNICATION TECHNOLOGY CO.; LTD	CHECKED BY	APPROVAL BY	DESIGNED BY	SCALE	UNIT
	MODEL NAME PANEL-15SF			C.H.C 2016.03.02	1 : 4	mm

1 Active Ch/Trace 2 Response 3 Stimulus 4 Mkr/Analysis 5 Instr State



System

Print

Abort Printing

Printer Setup...

Invert Image
ON

Dump
Screen Image...

Multiport Test Set
Setup

Misc Setup

Backlight
ON

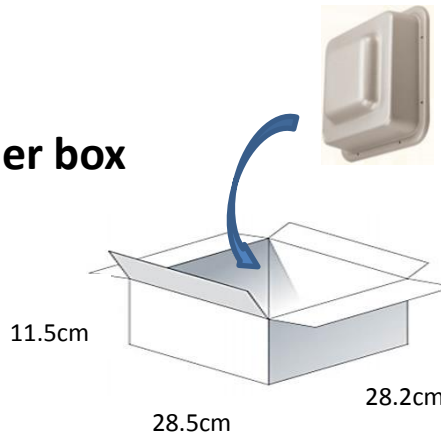
Firmware
Revision



The World Wide Leader in Antenna

Packaging

A set of antenna put in an inner box



10 pcs per carton
Carton Dimensions: 63*30*59cm

