



The World Wide Leader in Antenna

2.4G Antenna

OM-88SNF-1



Frequency : 2.4-2.5GHz

Gain : 8dBi

V.S.W.R : <2.0:1

Impedance : 50 ohm

Max Power : 50W

Connector : N Female

Material : Fiberglass

Length : 394 mm

Weight : ≐ 600g

Color : White

Polarization : Vertical

Mount : U-Bolts Type

Lightning Protection : DC ground

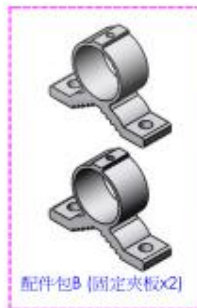
Temperature : -20°C to +60°C

Wind Load : 210km/h

EVERCOM COMMUNICAITON TECHNOLOGY CO., LTD.

No.108 Jiesin St. Taoyuan District Taoyuan City 33063, Taiwan R.O.C.

Tel: +886-3- 376- 5678 Fax: +886-3- 376- 5319 E-Mail: service@evercomtech.com



EVERCOM COMMUNICATION TECHNOLOGY CO.; LTD

CHECKED BY

APPROVAL BY

DESIGNED BY

SCALE

UNIT

MODEL NAME

MODEL NO.

OM-88SNF-1

Ben

C.H.C

1 : 2

mm

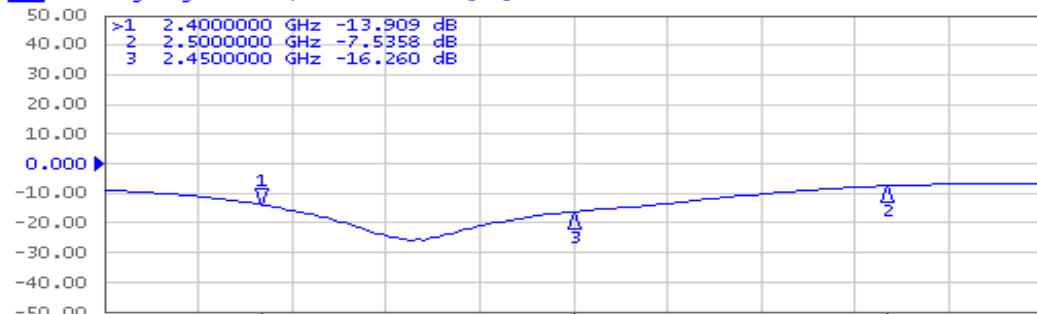
2015.10.30

2015.10.30

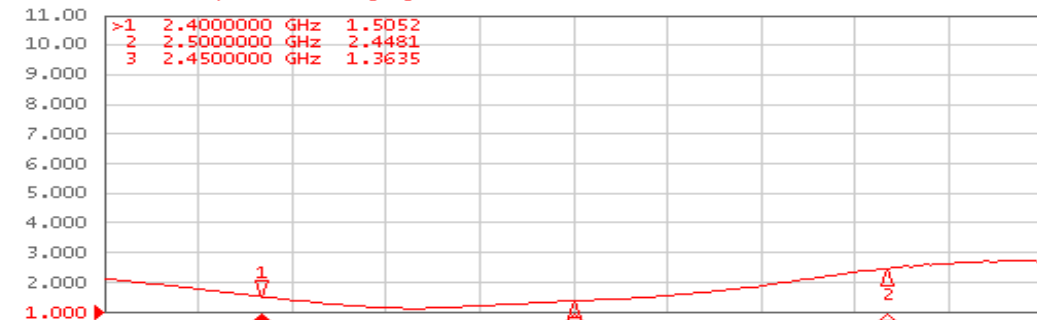
1 Active Ch/Trace 2 Response 3 Stimulus 4 Mkr/Analysis 5 Instr State

Evercom Communication Technology Co.,Ltd.

Tr1 S11 Log Mag 10.00dB/ Ref 0.000dB [R0]



Tr2 S11 SWR 1.000/ Ref 1.000 [R0]



1 Center 2.45 GHz

IFBW 70 kHz

Span 150 MHz Cor

Meas Stop ExtRef Ready Svc 2015-09-10 13:25

Response (Open)

85033E

Select Port

1 *

Open

Open

Load (Optional)

Broadband

Done

Cancel

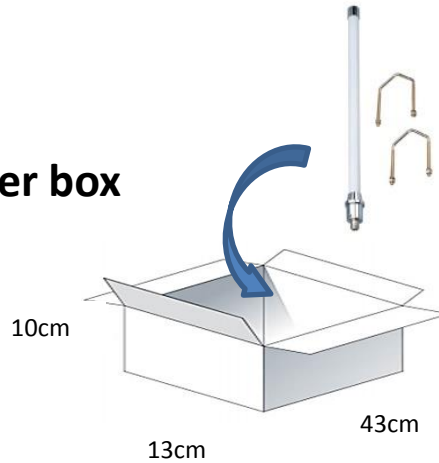
Return



The World Wide Leader in Antenna

Packaging

A set of antenna put in an inner box



20 pcs per carton
Carton Dimensions: 45.2*35.8*35.2cm

