



The World Wide Leader in Antenna

2.4G Antenna

OM-85NF-1



Frequency : 2.4-2.5GHz

Gain : 15dBi

Connector: N Female

V.S.W.R : <2.0:1

Impedance : 50 ohm

Length: 1055mm

Weight: 1300g

Material : Fiberglass

Polarization : Vertical

Color: White

Mount : U-Bolts

Temperature: -40°C ~ +80°C

Max. Power: 50W

Wind Load: 150km/h

Lightning Protection : DC ground

Horizontal Beam width : 360 degree

Vertical Beam width : 8 degree

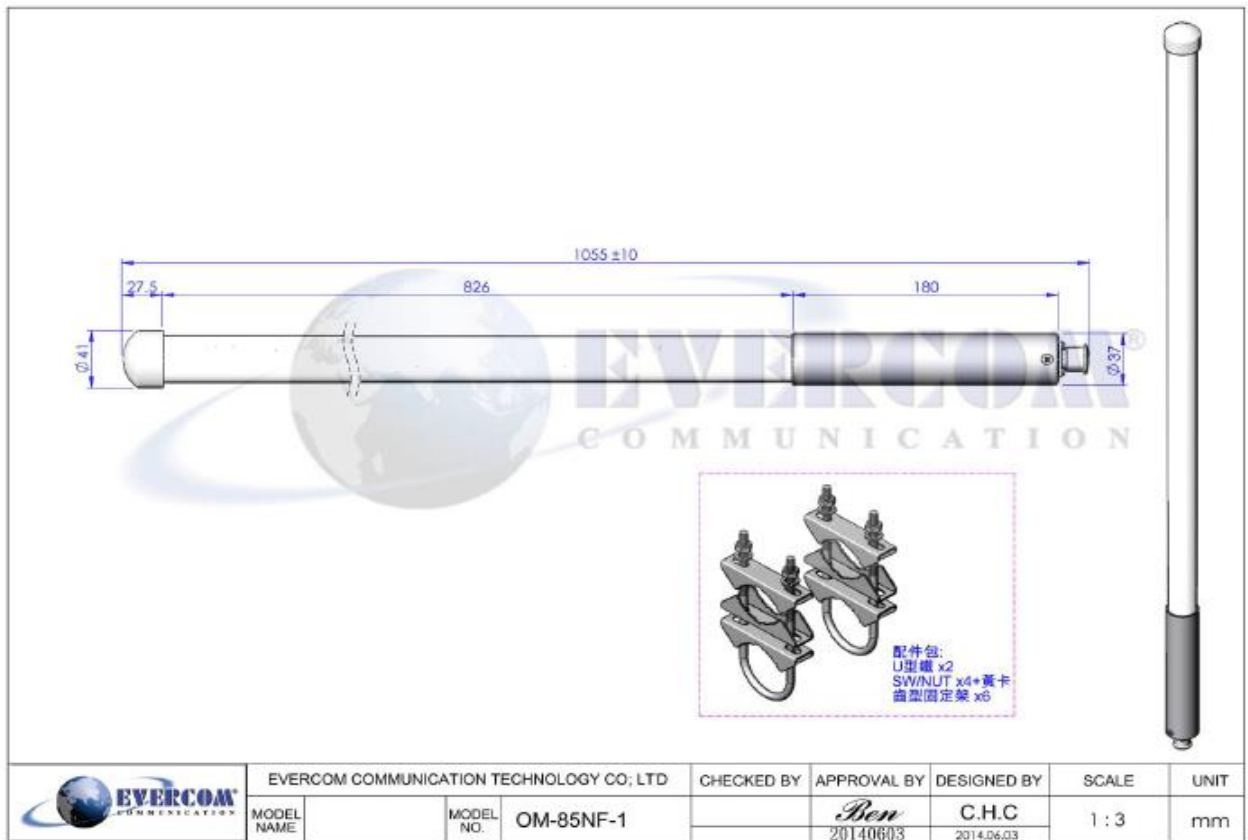
EVERCOM COMMUNICAITON TECHNOLOGY CO., LTD.

No.108 Jiesin St. Taoyuan District Taoyuan City 33063, Taiwan R.O.C.

Tel: +886-3-376-5678 Fax: +886-3-376-5319 E-Mail: service@evercomtech.com

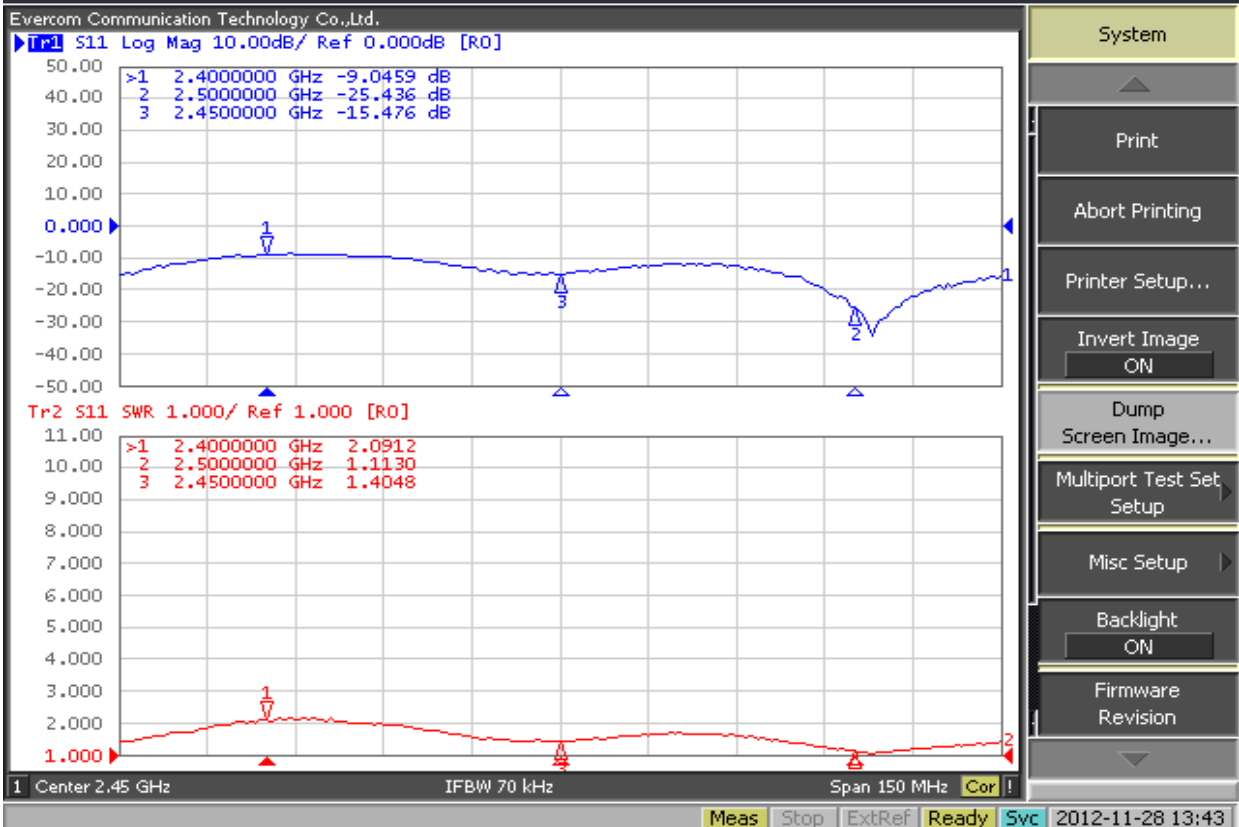


ISO 9001



Evercom Communication Technology Co., Ltd. Frequency Inspection Report

1 Active Ch/Trace 2 Response 3 Stimulus 4 Mkr/Analysis 5 Instr State



Item No. : WG-QM-85NF-1

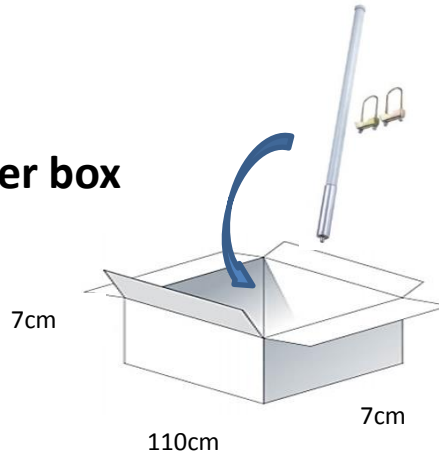
Inspector: Amber



The World Wide Leader in Antenna

Packaging

A set of antenna put in an inner box



10 pcs per carton

Carton Dimensions: 111*40*16.7cm

