



# Sub-6G Antenna

## LTS-DP136

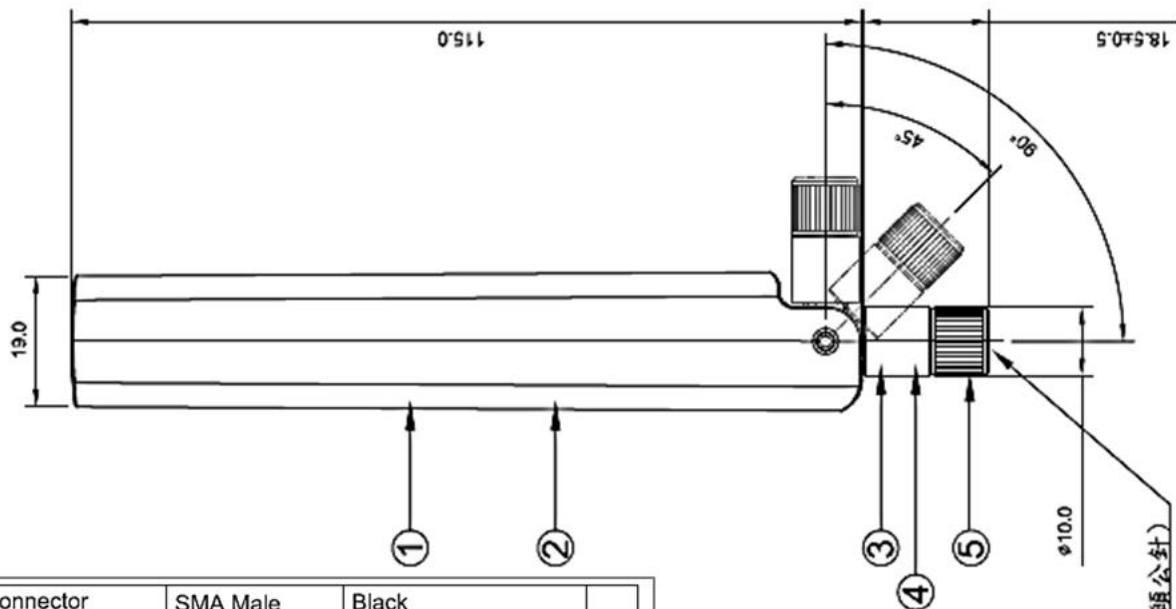


Frequency :617~960/1450~2690/3300~3800/ 4200~5925MHz
Gain : 0~5dBi
Efficiency : > 30 & 50 %
Connector : SMA/Male (Optional)
V.S.W.R : <4:1
Impedance : 50 ohm
Cable: N/A
Length: 136 mm
Weight: 15g
Material : ABS Polymer
Polarization: Linear (V or H)
Color: Black or (Optional)
Mount : SMA/M
Temperature: -30°C to + 85°C
Max. Power: 30W

EVERCOM COMMUNICAITON TECHNOLOGY CO., LTD.

No.108 Jiesin St. Taoyuan District Taoyuan City 33063, Taiwan R.O.C.

Tel: +886-3- 376- 5678 Fax: +886-3- 376- 5319 E-Mail: [service@evercomtech.com](mailto:service@evercomtech.com)



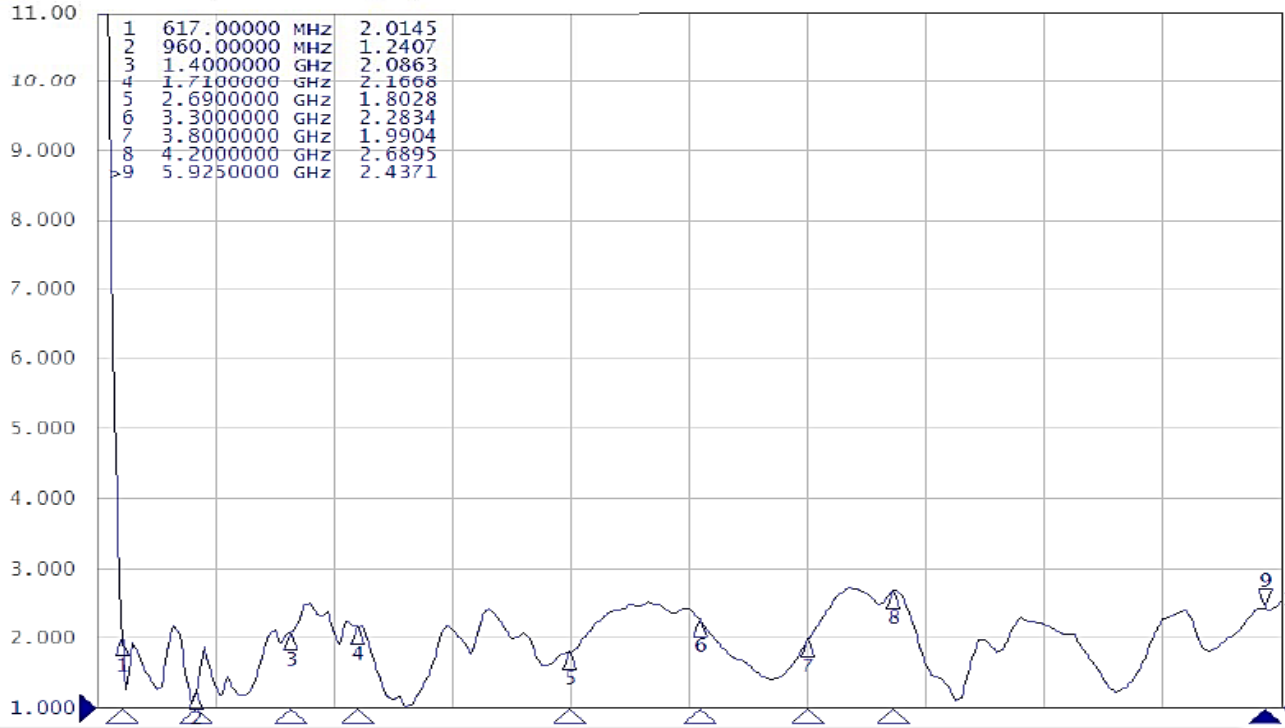
5	Connector	SMA Male	Black	
4	Cable	O.D.1.37mm	Black	1
3	Body2	PC+PBT		1
2	PCB	FR4	Black	1
1	Body1	ABS	Black	1
No.	Name	Material	Finish	Q'ty

	EVERCOM COMMUNICATION TECHNOLOGY CO., LTD		CHECKED BY	APPROVAL BY	DESIGNED BY	SCALE	UNIT
	MODEL NAME	MODEL NO.		<i>Ben</i> 20161011	C.H.C 2016.09.29	1:2	mm

E5071C Network Analyzer

1 Active Ch/Trace 2 Response 3 Stimulus 4 Meas/Analysis 5 Instr State

Tr1 S11 SWR 1.000/ Ref 1.000 [F2]

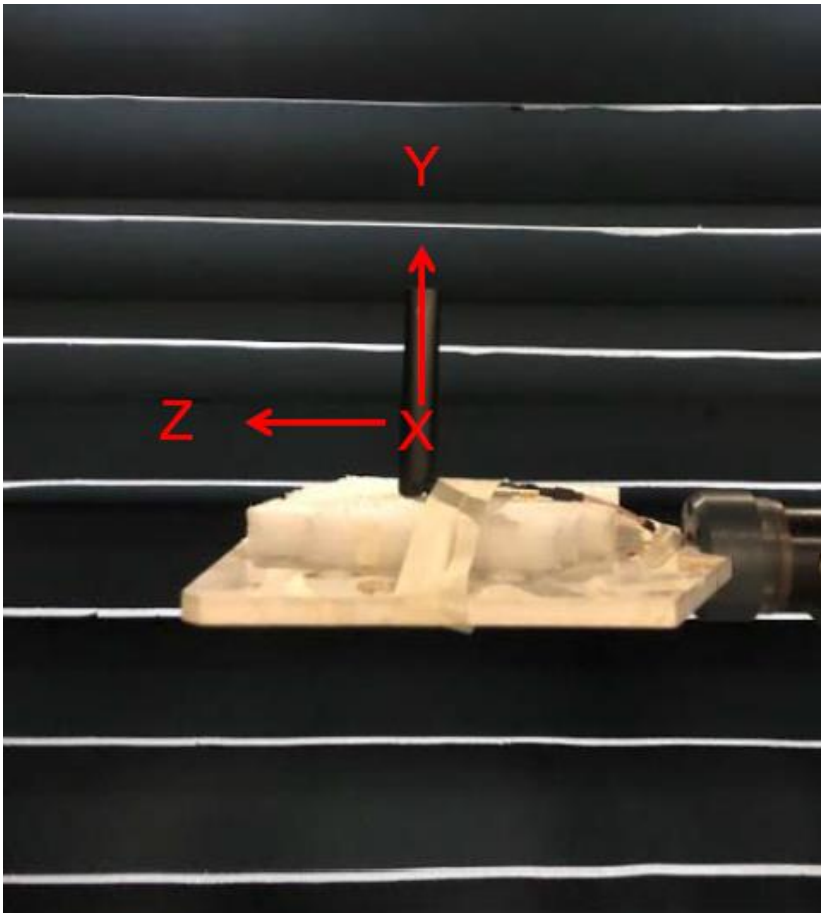


1 Start 500 MHz

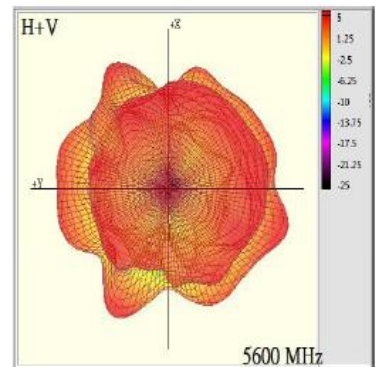
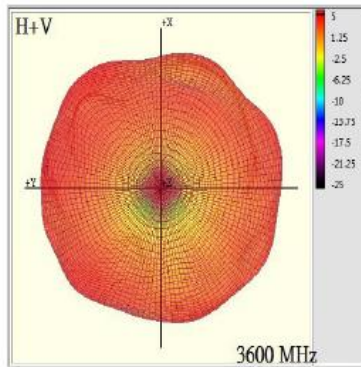
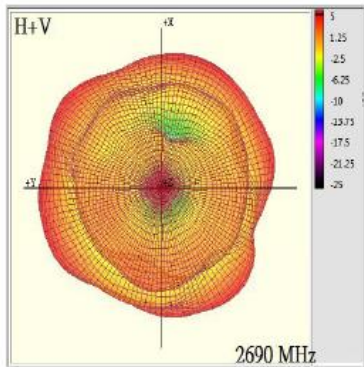
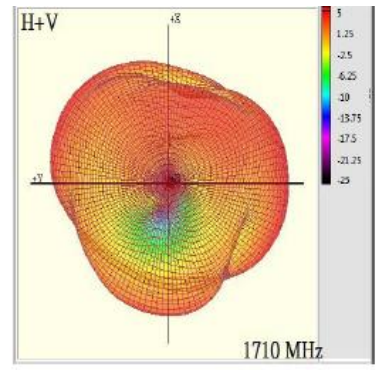
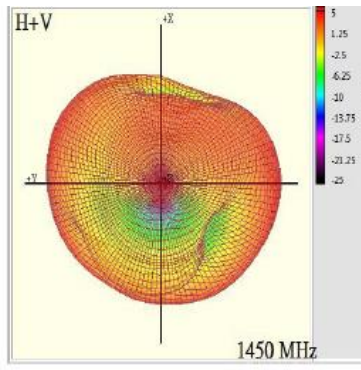
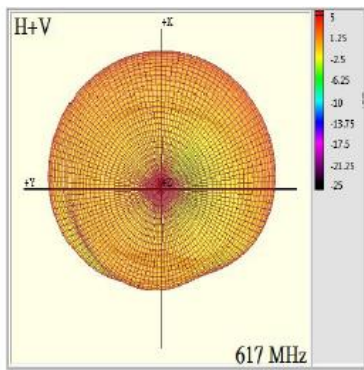
IFBW 70 kHz

Stop 6 GHz

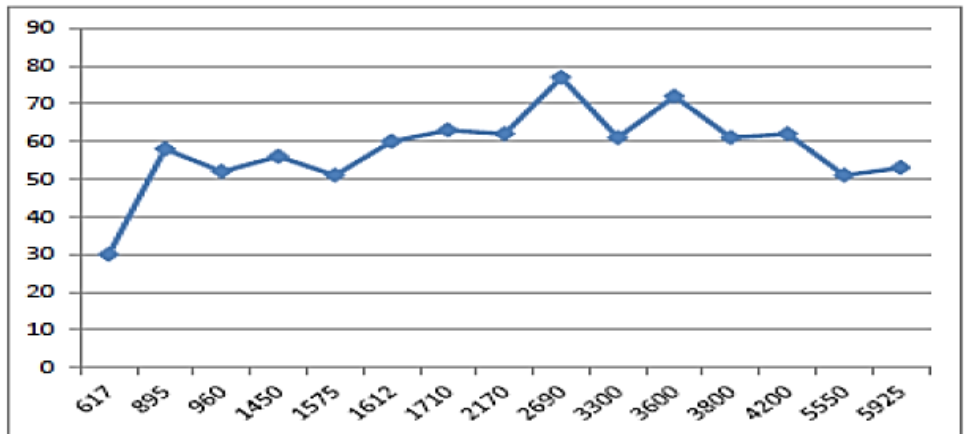
# Product Configuration



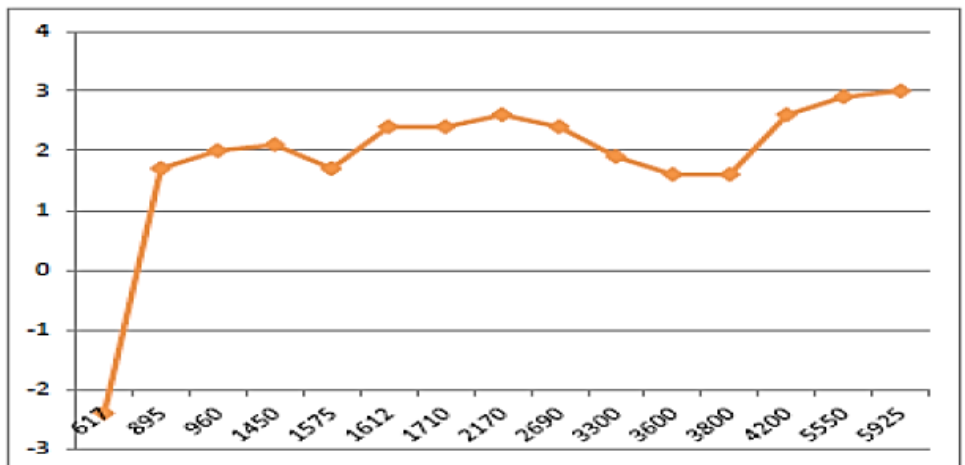
# Gain / Efficiency Test Data



MHz	Eff (%)
617	30
895	58
960	52
1450	56
1575	51
1612	60
1710	63
2170	62
2690	77
3300	61
3600	72
3800	61
4200	62
5550	51
5925	53



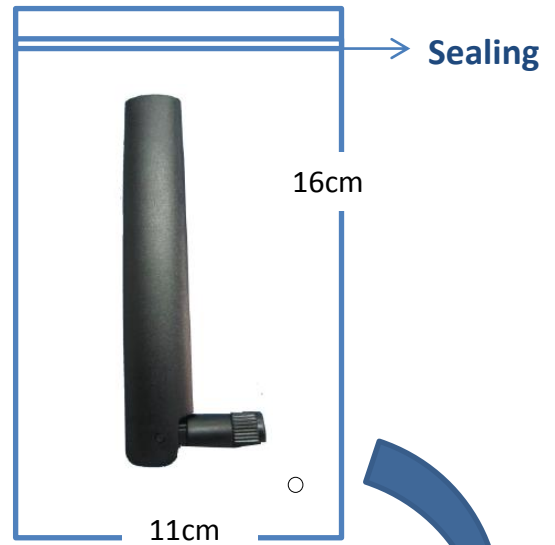
MHz	Gain (dBi)
617	-2.4
895	1.7
960	2
1450	2.1
1575	1.7
1612	2.4
1710	2.4
2170	2.6
2690	2.4
3300	1.9
3600	1.6
3800	1.6
4200	2.6
5550	2.9
5925	3



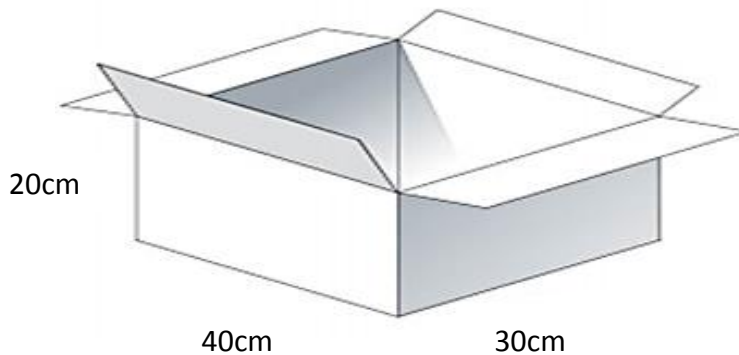


# Packaging

Antenna pack in a poly bag



1000 PCS Per Carton  
Carton Dimensions:40\*30\*20cm





# Antenna Applications

