



**Your
3G
Signal**



**Your
GPS
Signal**

The World Wide Leader in Antenna

GPS Antenna

GPS-215

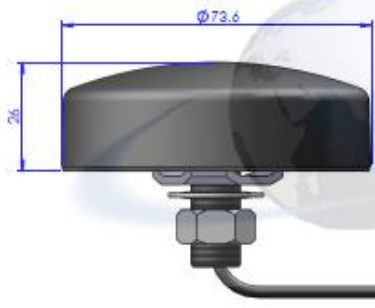


Frequency : 1575.42Mhz
Gain : 2dBi
Connector: SMA/Male(Optional)
V.S.W.R <1.5:1
Impedance: 50 ohm
Cable: RG174
Weight: 250g
Material: ABS Polymer
Polarization: Vertical
Color: Black
Mounting: Roof Type
Temperature: -30°C ~80°C
Dimensions: ø73.6 x 26mm
Voltage supply: 3.0.....5V
Amplification: 27dB
Noise Figure: 1.6dB
Current Consumption: Max. 27mA

EVERCOM COMMUNICAITON TECHNOLOGY CO., LTD.

No.108 Jiesin St. Taoyuan District Taoyuan City 33063, Taiwan R.O.C.

Tel: +886-3- 376- 5678 Fax: +886-3- 376- 5319 E-Mail: service@evercomtech.com



EVERCOM[®]
COMMUNICATION

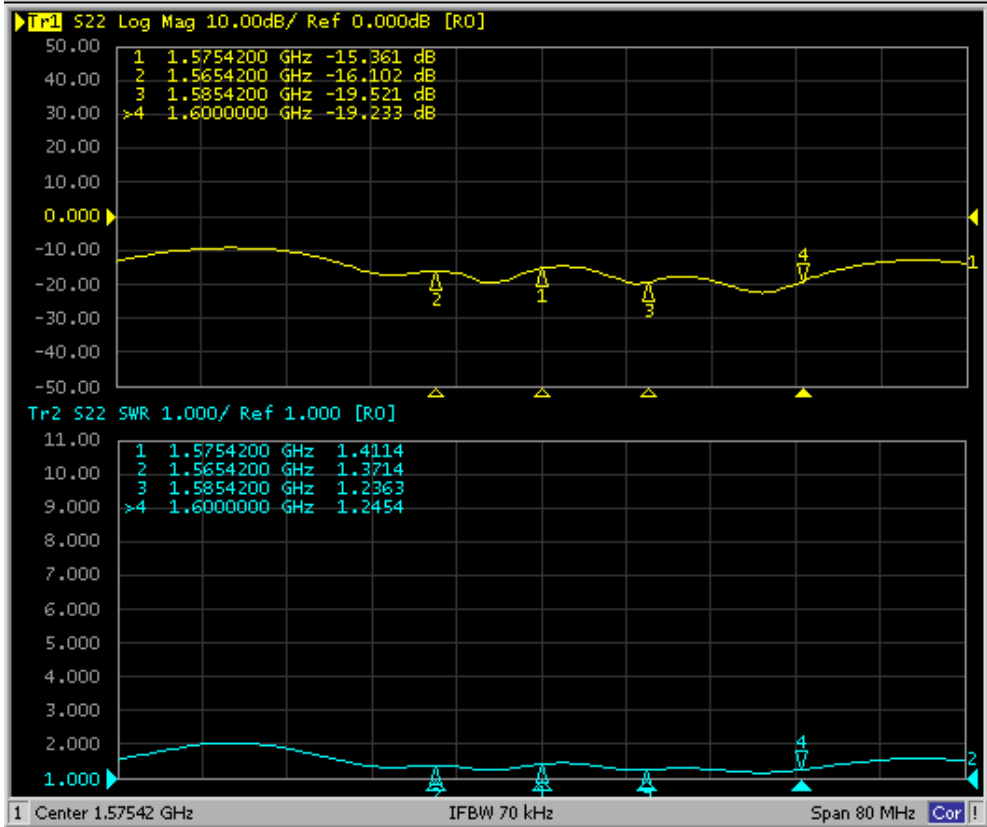


CABLE RG174/U LENGTH 17ft

SMA MALE

	EVERCOM COMMUNICATION TECHNOLOGY CO., LTD			CHECKED BY	APPROVAL BY	DESIGNED BY	SCALE	UNIT
	MODEL NAME		MODEL NO.	GPS-215SMA-M5	<i>Ben</i>	C.H.C	1:1	mm
					20170503	2017.04.12		

1 Active Ch/Trace 2 Response 3 Stimulus 4 Mkr/Analysis 5 Instr State



System

Print

Abort Printing

Printer Setup...

Invert Image
ON

Dump
Screen Image...

Multiport Test Set
Setup

Misc Setup

Backlight
ON

Firmware
Revision

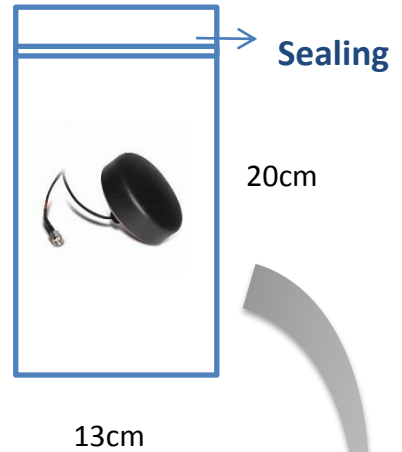
Meas Stop ExtRef Ready Svc 2015-08-19 16:03



The World Wide Leader in Antenna

Packaging

***1 pc Antenna
PE bag/ each**



**50 pcs per carton
Carton Dimensions: 40*30*20cm**

