



The World Wide Leader in Antenna

# GPS Antenna

## GPS-06



Frequency : 1575.42Mhz

Gain : 2dBi

Connector :

MMCX,MCX,SMA,SMB,BNC,TNC

V.S.W.R : <1.5:1

Impedance : 50 ohm

Cable : RG174

Weight : 95g

Material : ABS Polymer

Polarization : Vertical

Color : Black

Mounting : Magnet Type

Temperature : -30°C ~80°C

Dimensions : 40.5 x 38mm

Voltage supply : 3.0.....5V

Amplification : 27dB

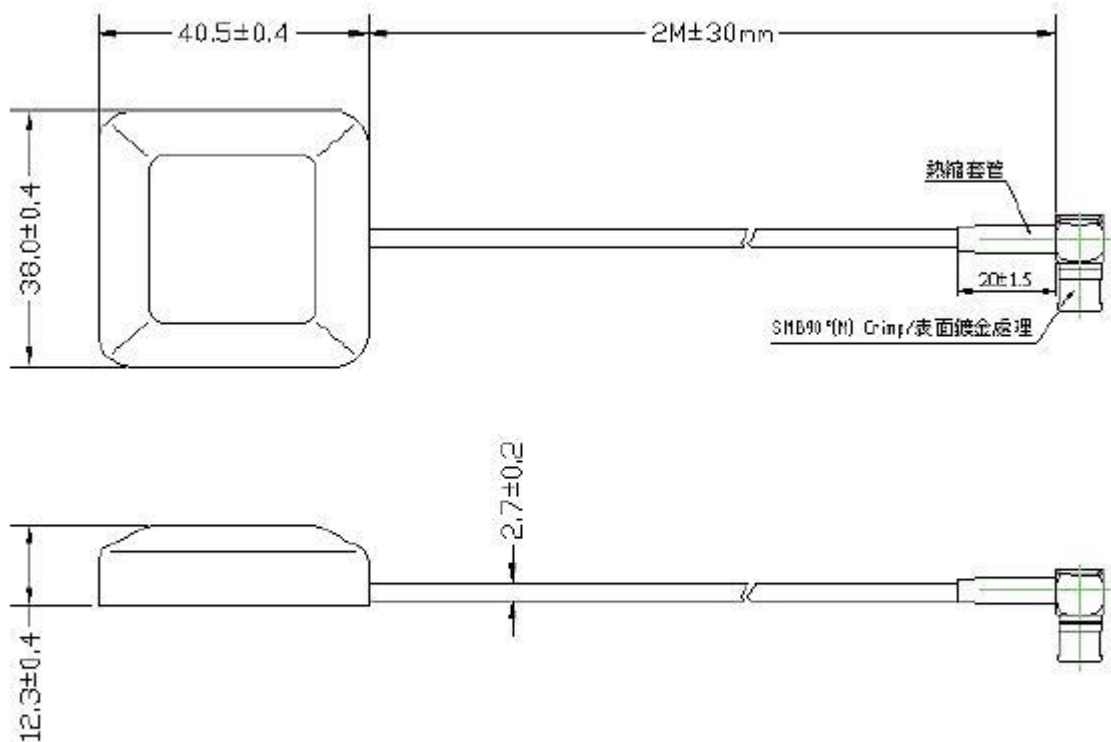
Noise Figure : 1.5dB

Current Consumption : Max. 25mA

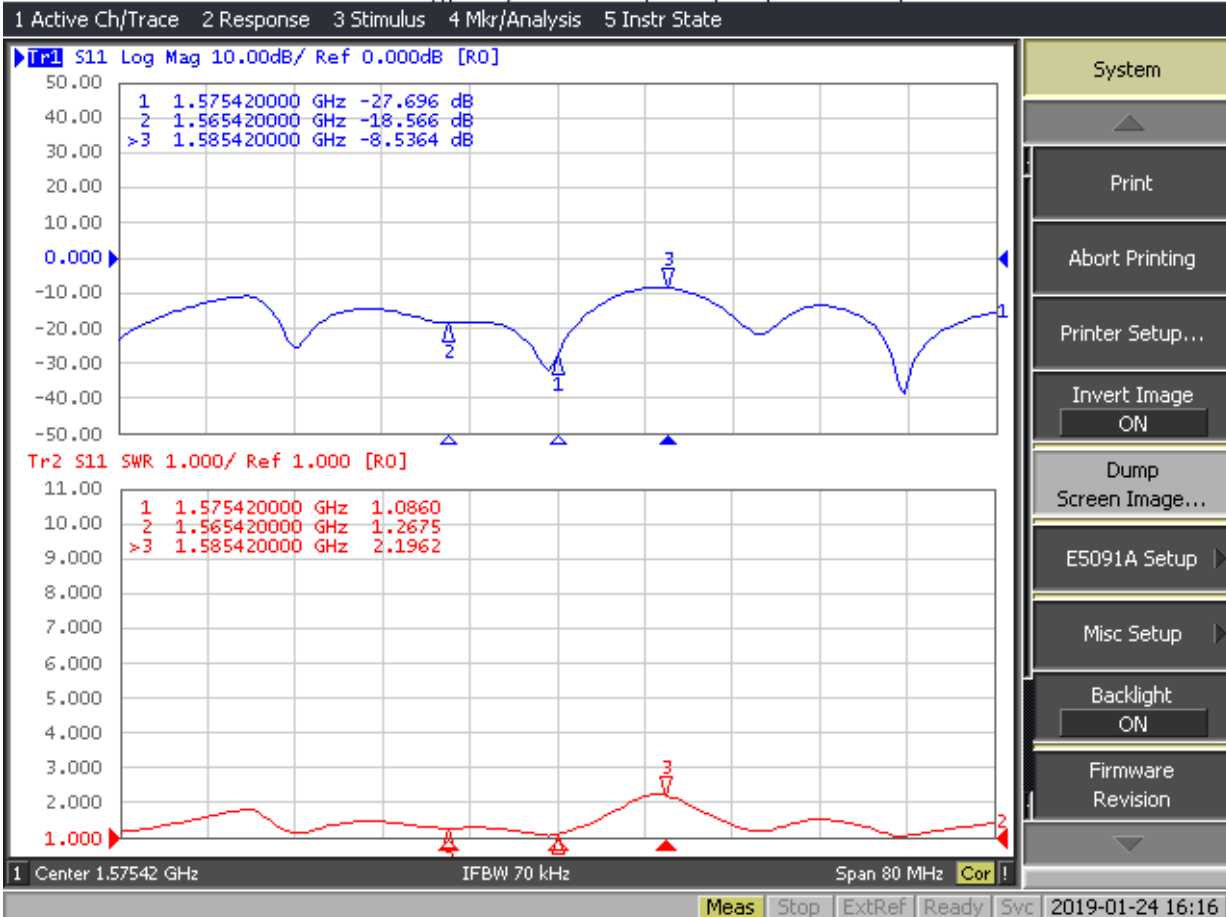
EVERCOM COMMUNICAITON TECHNOLOGY CO., LTD.

No.108 Jiesin St. Taoyuan District Taoyuan City 33063, Taiwan R.O.C.

Tel: +886-3- 376- 5678 Fax: +886-3- 376- 5319 E-Mail: service@evercomtech.com



Evercom Communication Technology Co., Ltd. Frequency Inspection Report



Item No. :RG-GPS-06/GA72/SMB(RA)-2M

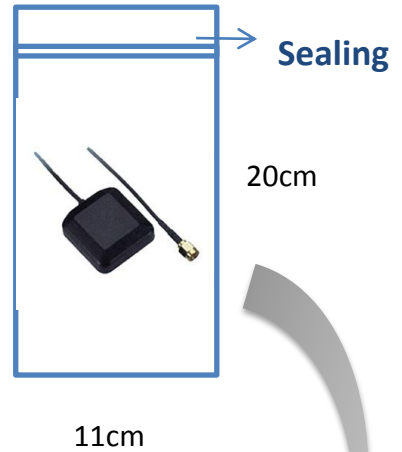
Inspector: Amber



*The World Wide Leader in Antenna*

# Packaging

**\*1 pc Antenna  
PE bag/ each**



**500 pcs per carton  
Carton Dimensions: 37\*37\*30cm**

