



*The World Wide Leader in Antenna*

# GPS Antenna

## GPS-05



Frequency : 1575.42Mhz

Gain : 2dBi

Connector: MMCX, MCX, SMA, SMB,  
BNC, TNC

V.S.W.R : <2.0 :1

Impedance : 50 ohm

Cable: RG174

Weight: 75g

Material: ABS Polymer

Polarization: Vertical

Color: Black

Mounting: Magnet Type

Temperature: -30°C~80°C

Dimensions: 46.2 x 35.2mm

Voltage supply: 3.0.....5V

Amplification: 27dB

Noise Figure: 1.6dB

Current Consumption: Max. 25mA

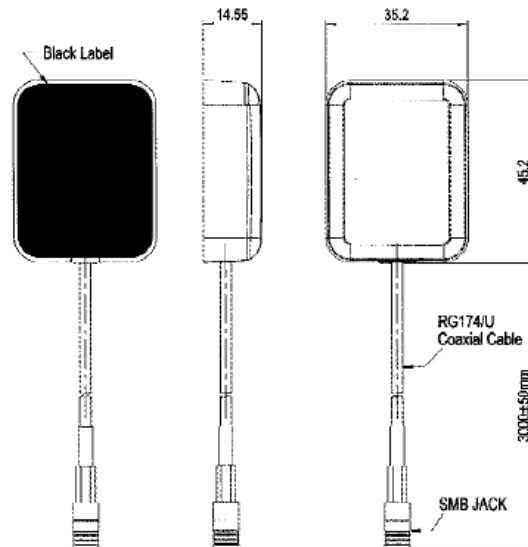
**EVERCOM COMMUNICAITON TECHNOLOGY CO., LTD.**

No.108 Jiesin St. Taoyuan District Taoyuan City 33063, Taiwan R.O.C.

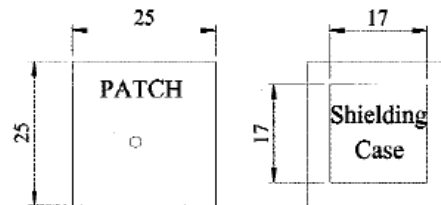
Tel: +886-3- 376- 5678 Fax: +886-3- 376- 5319 E-Mail: [service@evercomtech.com](mailto:service@evercomtech.com)

## Dimensions

### 1. Antenna



### 2. LNA & Patch & Shielding

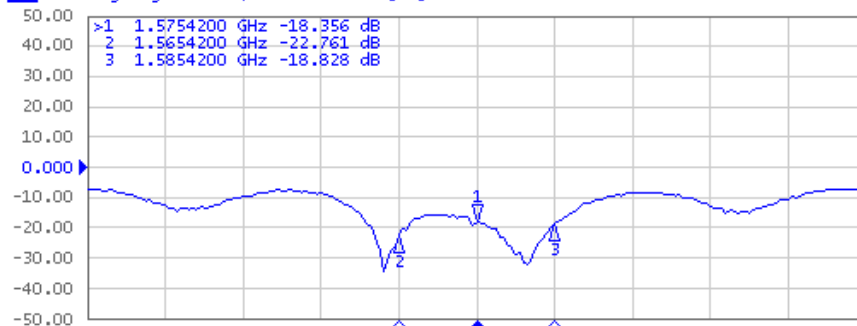


## Evercom Communication Technology Co., Ltd. Frequency Inspection Report

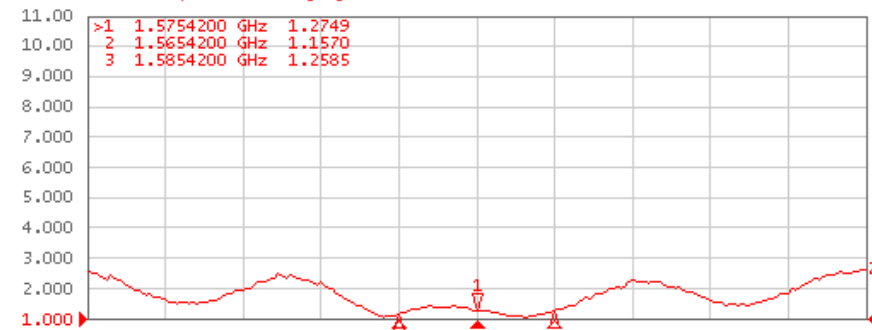
1 Active Ch/Trace 2 Response 3 Stimulus 4 Mkr/Analysis 5 Instr State

Evercom Communication Technology Co., Ltd.

▶ Tr1 S22 Log Mag 10.00dB/ Ref 0.000dB [R0]



Tr2 S22 SWR 1.000/ Ref 1.000 [R0]



1 Start 1.52542 GHz IFBW 70 kHz Stop 1.62542 GHz Cor |

Meas Stop ExtRef Ready Svc 2011-10-26 11:54

Item No. : RG-GPS-05MMCX-M3

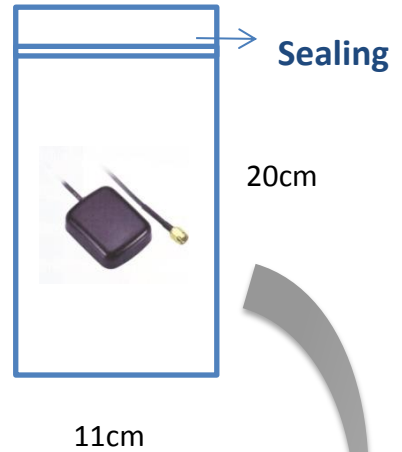
Inspector: Amber



*The World Wide Leader in Antenna*

# Packaging

**\*1 pc Antenna  
PE bag/ each**



**100 pcs per carton  
Carton Dimensions: 40\*30\*20cm**

