



The World Wide Leader in Antenna

GPS + GSM Antenna

GPM-11



Frequency : 900/ 1800/ 1575.42MHZ

Gain : 2dBi

Connector : MMCX, MCX, SMA, SMB,
BNC, TNC, FME

V.S.W.R : <1.5:1

Impedance : 50 ohm

Cable : RG174 3M x 2

Weight : 125g

Material : ABS Polymer

Polarization : R.H.C.P

Color : Black

Mounting : 3M Tape

Temperature : -30°C ~80°C

Dimensions : ø56.5 x 14mm

Voltage supply : 3.0.....5V

Amplification : 25dB

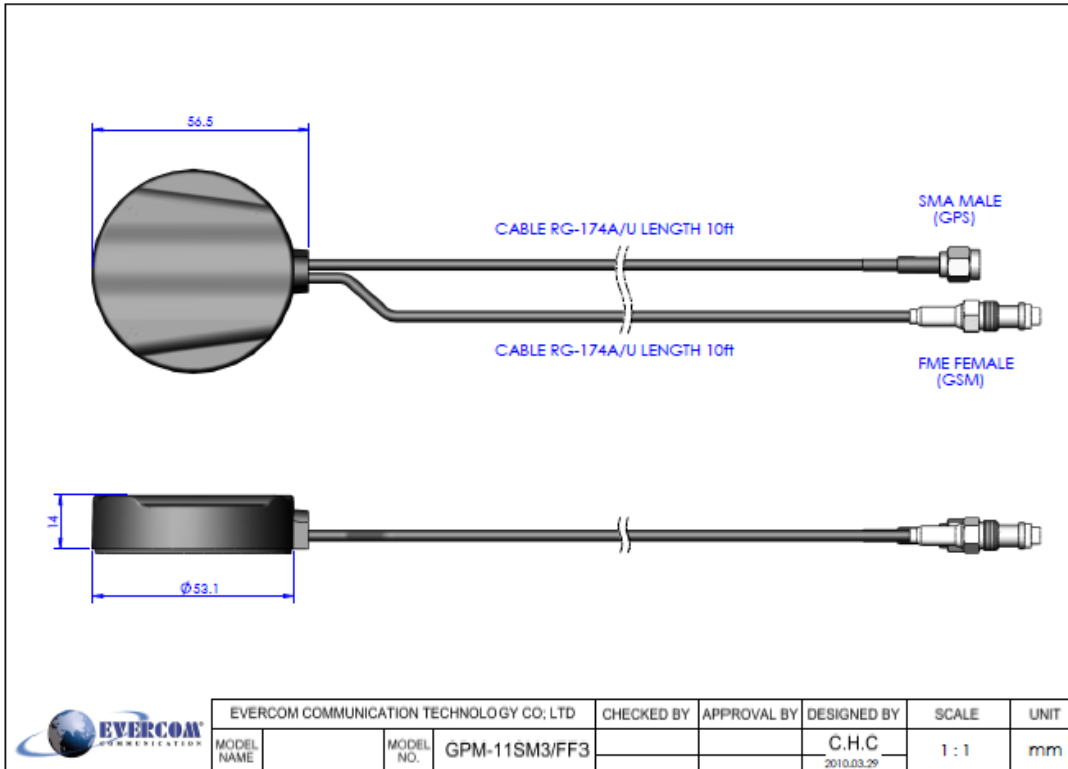
Noise Figure : 1.5dB

Current Consumption : Max. 27mA

EVERCOM COMMUNICAITON TECHNOLOGY CO., LTD.

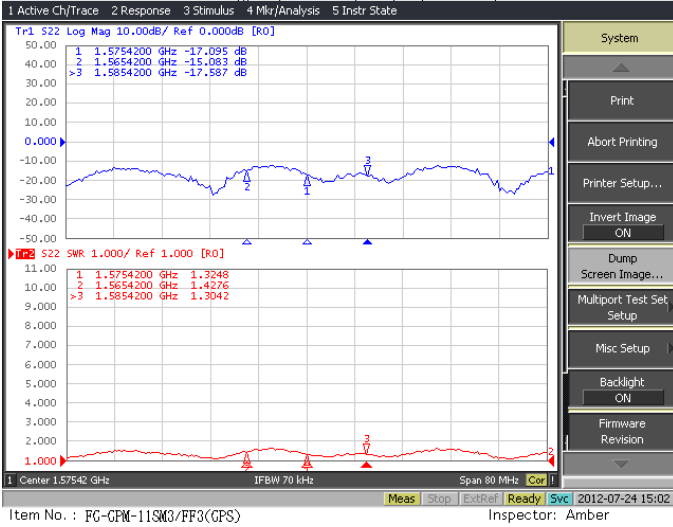
No.108 Jiesin St. Taoyuan District Taoyuan City 33063, Taiwan R.O.C.

Tel: +886-3- 376- 5678 Fax: +886-3- 376- 5319 E-Mail: service@evercomtech.com



EVERCOM COMMUNICATION TECHNOLOGY CO., LTD		CHECKED BY	APPROVAL BY	DESIGNED BY	SCALE	UNIT
MODEL NAME	MODEL NO.	GPM-11SM3/FF3		C.H.C	1 : 1	mm
				2010.03.29		

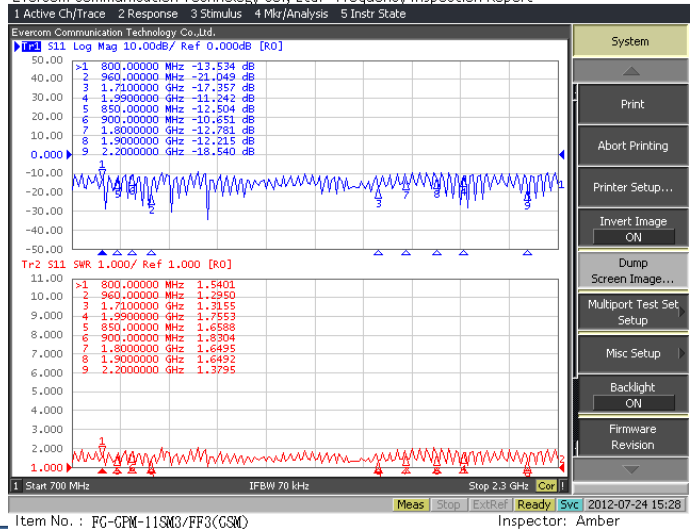
Evercom Communication Technology Co., Ltd. Frequency Inspection Report



GPS

GSM

Evercom Communication Technology Co., Ltd. Frequency Inspection Report

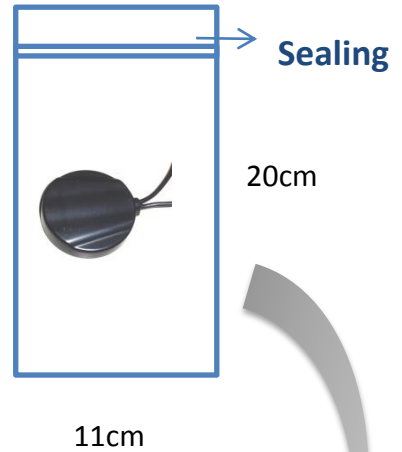




The World Wide Leader in Antenna

Packaging

***1 pc Antenna
PE bag/ each**



**50 pcs per carton
Carton Dimensions:50*30*20cm**

