



The World Wide Leader in Antenna

GPS + GSM Antenna

GPM-10



Frequency : 900 / 1800/1575.42MHZ

Gain : 2.5dBi

Connector :
MMCX,MCX,SMA,SMB,BNC,TNC,FME

V.S.W.R : <2.0:1

Impedance : 50 ohm

Cable : RG174 3M x 2

Weight : 160g

Material : ABS Polymer

Polarization : R.H.C.P

Color : Black

Mounting : Roof Type

Temperature : -30°C~80°C

Dimensions : ø57 x 42mm

Voltage supply : 3.3.....5V

Amplification : 27dB

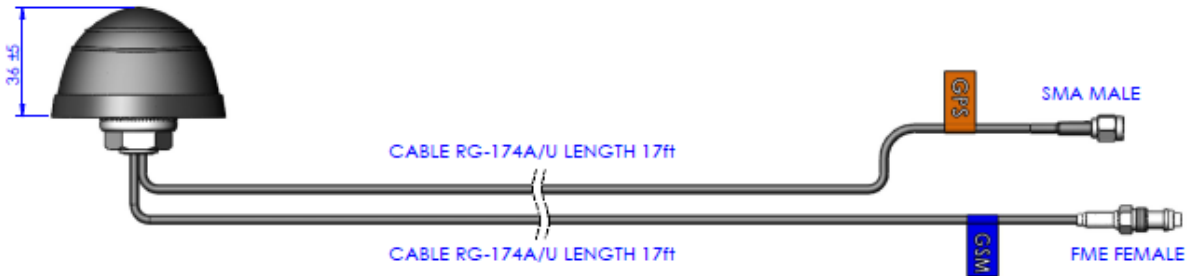
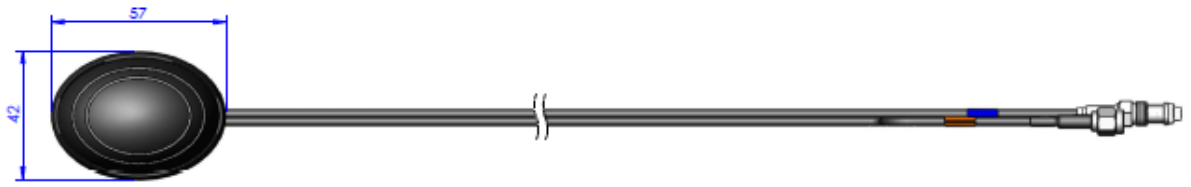
Noise Figure : 1.5dB

Current Consumption : Max. 27mA

EVERCOM COMMUNICAITON TECHNOLOGY CO., LTD.

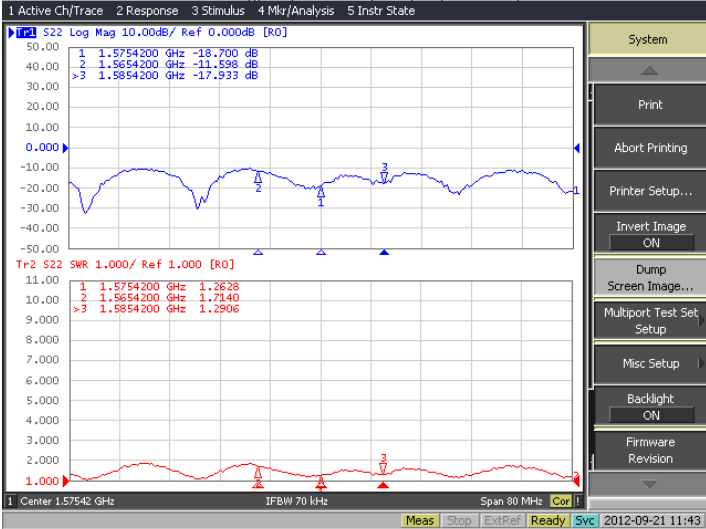
No.108 Jiesin St. Taoyuan District Taoyuan City 33063, Taiwan R.O.C.

Tel: +886-3- 376- 5678 Fax: +886-3- 376- 5319 E-Mail: service@evercomtech.com



EVERCOM COMMUNICATION TECHNOLOGY CO; LTD			CHECKED BY	APPROVAL BY	DESIGNED BY	SCALE	UNIT
MODEL NAME	MODEL NO.	GPM-10SM5/FF5			C.H.C	1 : 1.5	mm
					2011.06.07		

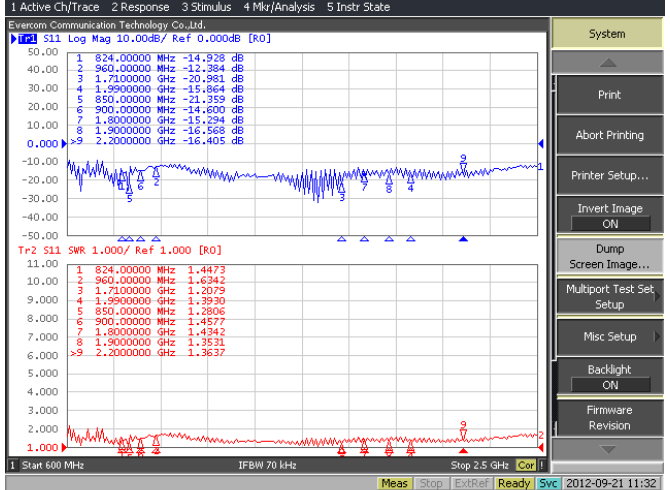
Evercom Communication Technology Co., Ltd. Frequency Inspection Report



GPS

GSM

Evercom Communication Technology Co., Ltd. Frequency Inspection Report



Item No. : PG-GPM-10SM5/FF5(GPS)

Inspector: Amber

Item No. : PG-GPM-10SM5/FF5(GSM)

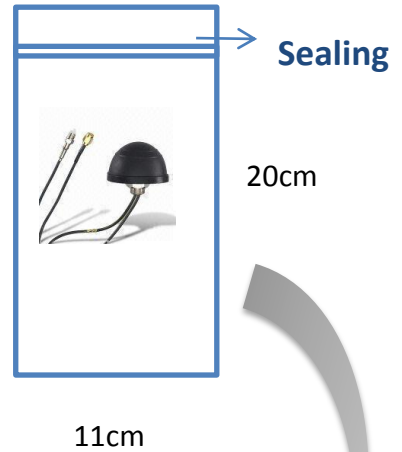
Inspector: Amber



The World Wide Leader in Antenna

Packaging

***1 pc Antenna
PE bag/ each**



**50 pcs per carton
Carton Dimensions:40*30*20cm**

