

**CB &VHF/UHF  
Series**



# VHF/UHF ANTENNA

## DB-72



Frequency : 144 / 430MHz

Gain : 2.15dB

Impedance : 50 Ohms

V.S.W.R : <1.5:1

Power : 10 W

Weight : 30g

Material : Copper/ ABS/ Metal

Connector : BNC or SMA

Dimension : 375 x 13 x 3mm

Color : Black

Polarization : Vertical

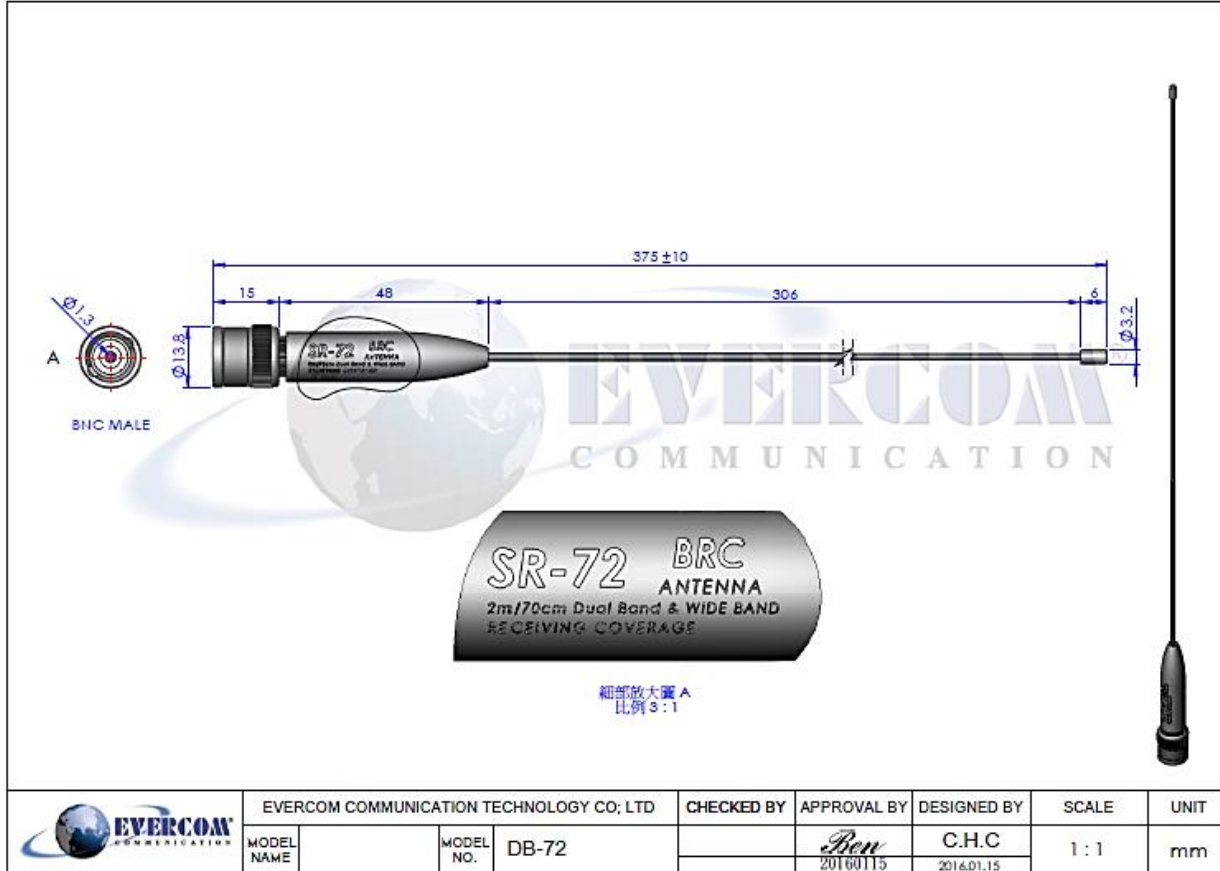
© 2017 EVERCOM COMMUNICAITON TECHNOLOGY CO., LTD.

No.108 Jiesin St. Taoyuan District Taoyuan City 33063, Taiwan R.O.C.

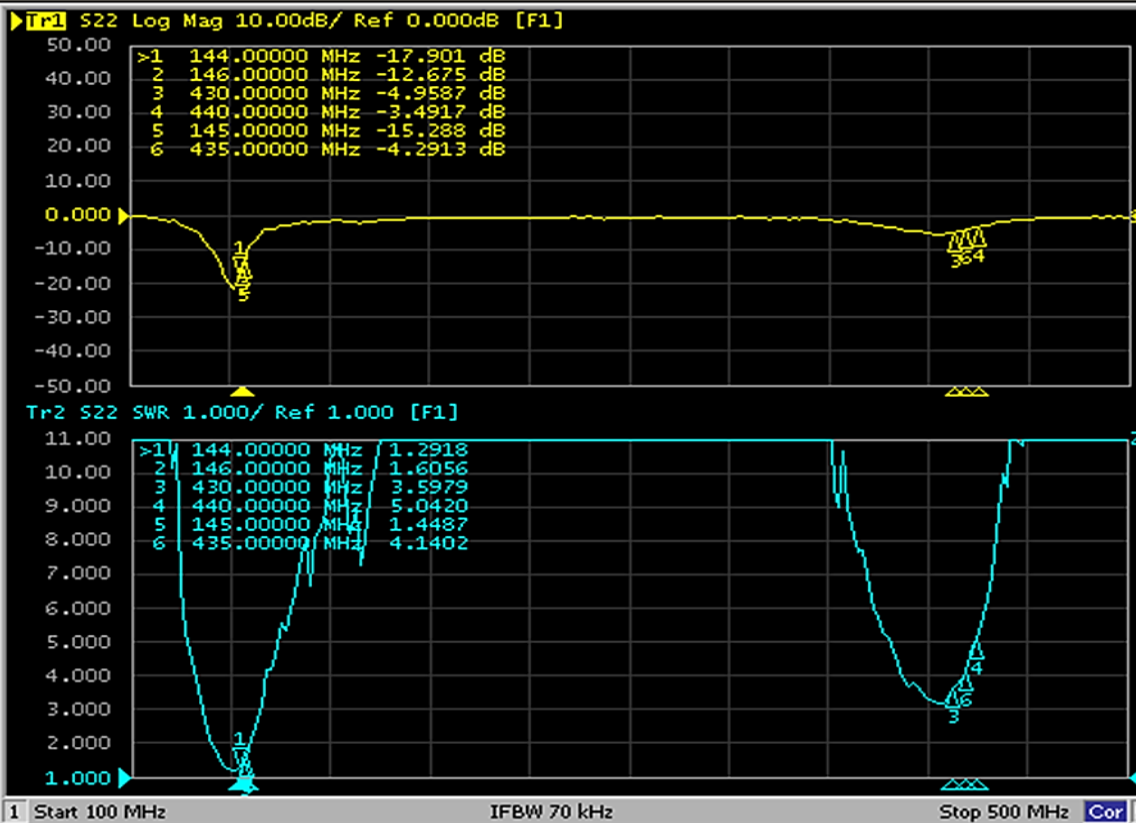
Tel: +886-3-376-5678 Fax: +886-3-376-5319 E-Mail: [service@evercomtech.com](mailto:service@evercomtech.com)



ISO 9001



1 Active Ch/Trace 2 Response 3 Stimulus 4 Mkr/Analysis 5 Instr State



System

Print

Abort Printing

Printer Setup...

Invert Image  
ON

Dump Screen Image...

Multiport Test Set Setup

Misc Setup

Backlight  
ON

Firmware Revision

Meas Stop ExtRef Ready Svc 2011-01-28 09:27

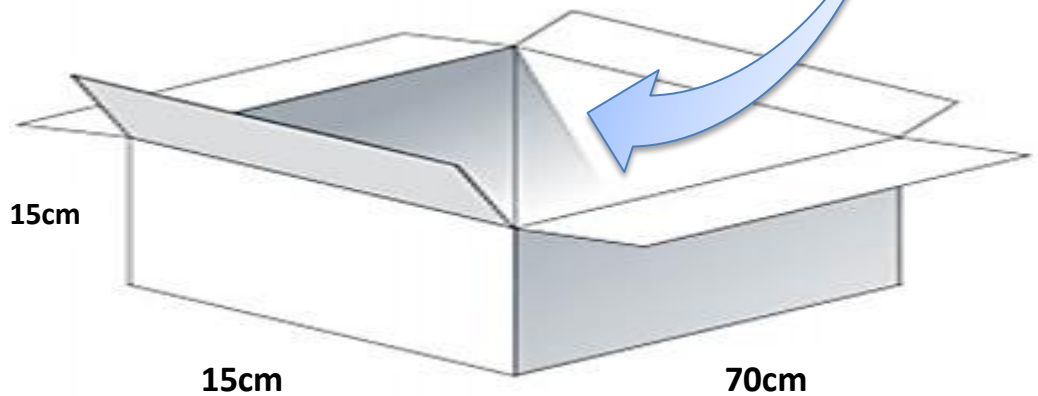
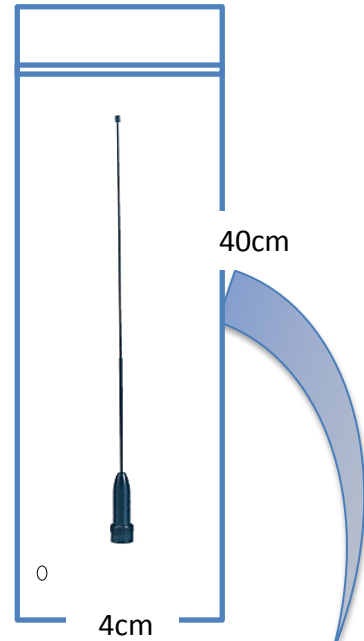
## CB & VHF/UHF Series



# Packaging

**\*1 pc Antenna PE package/  
each**

**\*100 pcs PE bag/ per carton  
Carton Dimensions: 70\*15\*15cm**



ISO 9001