

**CB & VHF/UHF  
Series**



# VHF/UHF ANTENNA

## DB-3228



Frequency : 790 MHz

Gain : 3 dB

V.S.W.R : <1.5:1

Power : 10W

Impedance : 50 Ohms

Material : Copper/ABS/ SUP

Mount : BNC

Weight : 50g

Color : Black

Dimension : 11 x 13 x 5 mm

Polarization : Vertical

Temperature : -20°C to +60°C

**EVERCOM COMMUNICAITON TECHNOLOGY CO., LTD.**

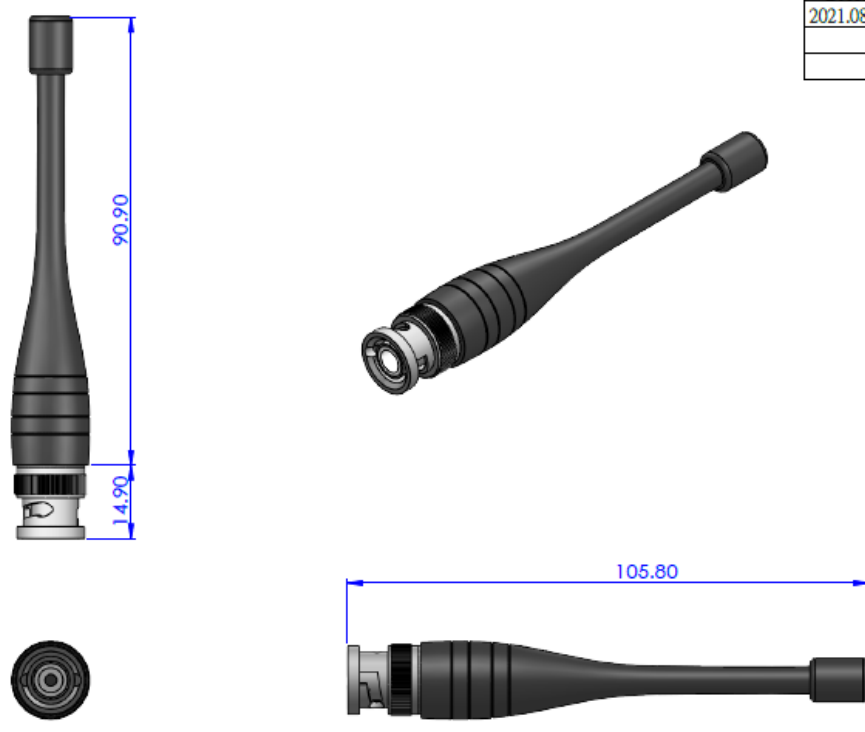
No.108 Jiesin St. Taoyuan District Taoyuan City 33063, Taiwan R.O.C.

Tel: +886-3-376-5678 Fax: +886-3-376-5319 E-Mail: [service@evercomtech.com](mailto:service@evercomtech.com)



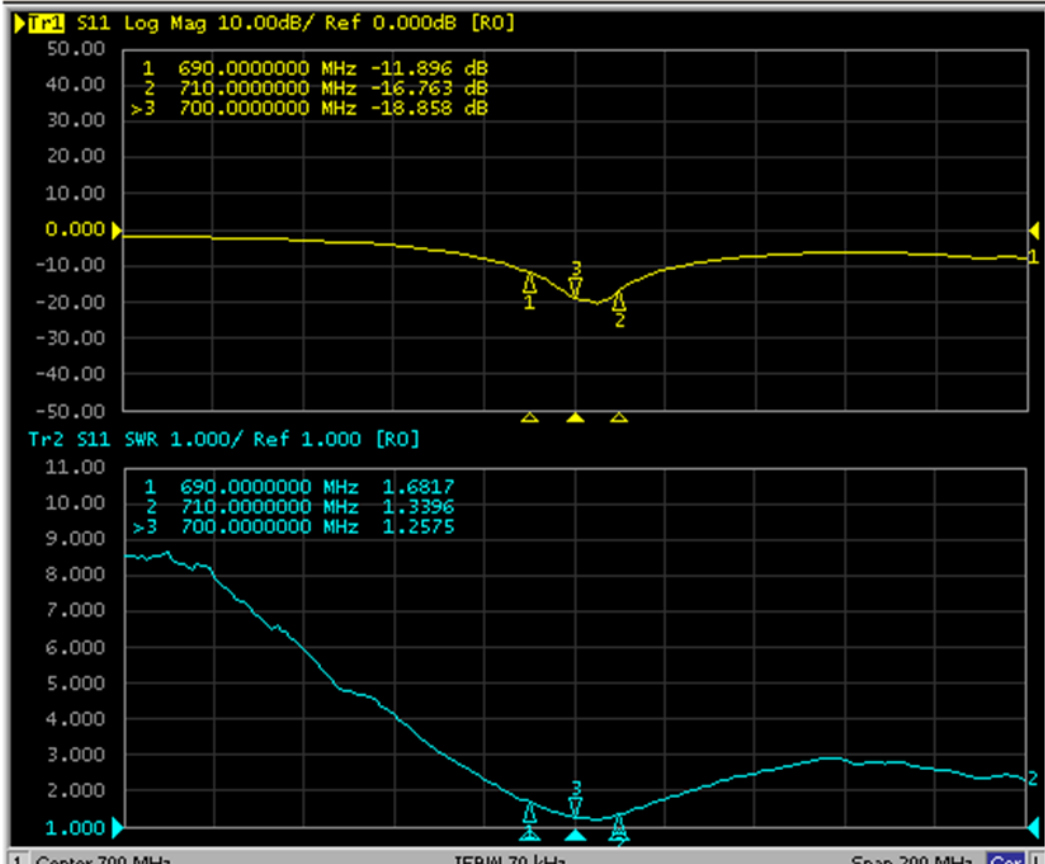
ISO 9001

DATE	DESCRIPTION	REV
2021.08.31	DRAFT	A



	EVERCOM COMMUNICATION TECHNOLOGY CO; LTD		CHECKED BY	APPROVAL BY	DESIGNED BY	SCALE	UNIT
	MODEL NO.	DB-3228			Y.W.C 2021.08.31	2:1	mm

1 Active Ch/Trace 2 Response 3 Stimulus 4 Mkr/Analysis 5 Instr State



System

Print

Abort Printing

Printer Setup...

Invert Image ON

Dump Screen Image...

E5091A Setup

Misc Setup

Backlight ON

Firmware Revision

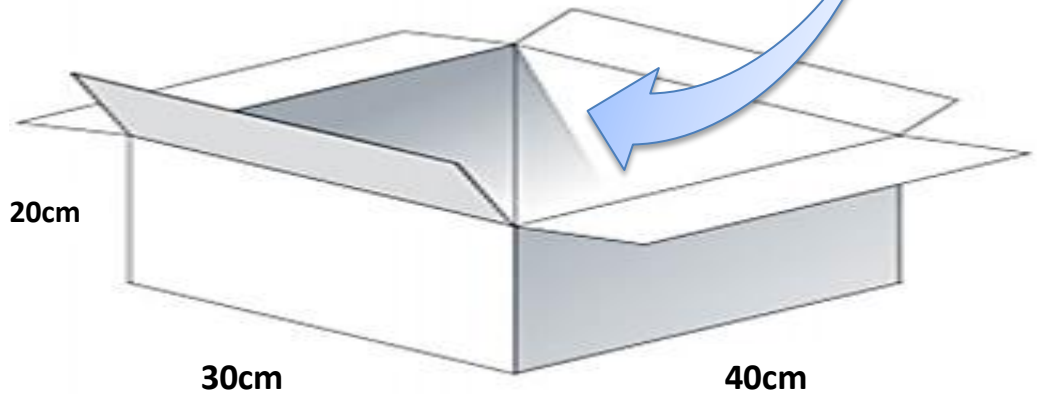
## CB & VHF/UHF Series



# Packaging

**\*1 pc Antenna PE package/  
each**

**\*100 pcs PE bag/ per carton  
Carton Dimensions: 40\*30\*20cm**



**CB & VHF/UHF  
Series**



# Antenna Applications

