

**CB & VHF/UHF
Series**



The World Wide Leader in Antenna

VHF/UHF ANTENNA

DB-3217



Frequency : 144-146MHz

Gain : 3 dB

V.S.W.R. : <1.5:1

Power : 20W

Impedance : 50 Ohms

Cable : N/A

Material : Copper/POM

Weight : 50g

Color : Black

Dimension : 99~608 x 13.8 x 8mm

Mount : BNC

Polarization : Vertical

Temperature : -20°C to +60°C

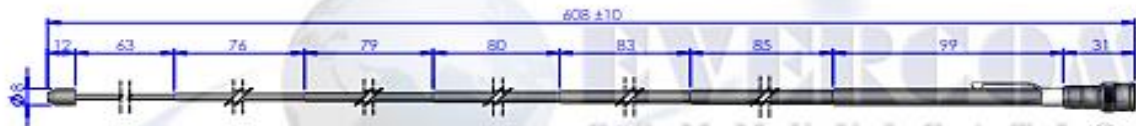
EVERCOM COMMUNICAITON TECHNOLOGY CO., LTD.

No.108 Jiesin St. Taoyuan District Taoyuan City 33063, Taiwan R.O.C.

Tel: +886-3-376-5678 Fax: +886-3-376-5319 E-Mail: service@evercomtech.com



ISO 9001

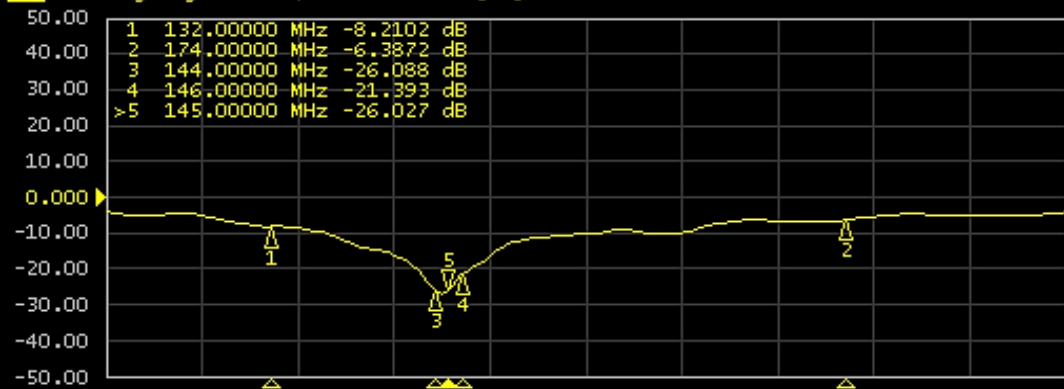


	EVERCOM COMMUNICATION TECHNOLOGY CO., LTD			CHECKED BY	APPROVAL BY	DESIGNED BY	SCALE	UNIT
	MODEL NAME	MODEL NO.	DB-3217		<i>Ben</i> 2015.07.04	C.H.C 2015.07.03	1 : 2	mm

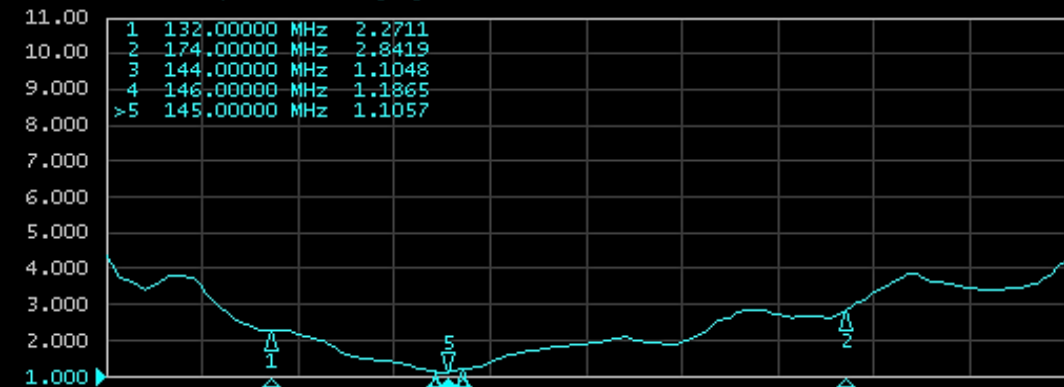
1 Active Ch/Trace 2 Response 3 Stimulus 4 Mkr/Analysis 5 Instr State

Evercom Communication Technology Co.,Ltd.

▶ Tr1 S22 Log Mag 10.00dB/ Ref 0.000dB [R0]



Tr2 S22 SWR 1.000/ Ref 1.000 [R0]



1 Start 120 MHz

IFBW 70 kHz

Stop 190 MHz

Cor !

Meas Stop ExtRef Ready Svc 2016-06-22 14:17

System

Print

Abort Printing

Printer Setup...

Invert Image

ON

Dump
Screen Image...

Multiport Test Set
Setup

Misc Setup

Backlight

ON

Firmware
Revision

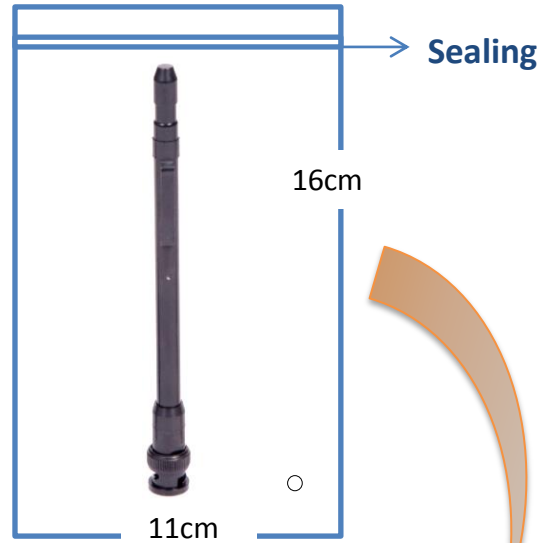
CB & VHF/UHF Series



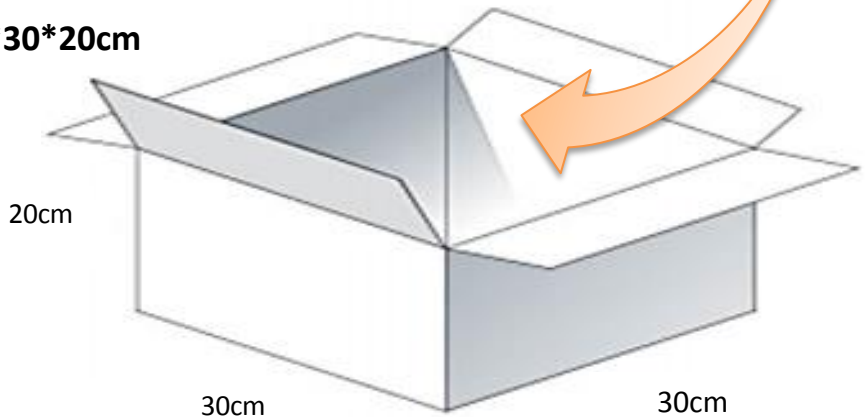
The World Wide Leader in Antenna

Packaging

1 pcs Antenna /PE bag each



200 PCS Per Carton
Carton Dimensions: 30*30*20cm



**CB & VHF/UHF
Series**



The World Wide Leader in Antenna

Antenna Applications

