

**CB &VHF/UHF  
Series**



*The World Wide Leader in Antenna*

# VHF/UHF ANTENNA

## DB-1203S



Frequency : 144MHZ

Gain : 3.5dB

V.S.W.R : <1.5:1

Impedance : 50 ohm

Mount : M Type

Max Power : 200W

Material : ABS /SUS/Copper

Weight : ≐ 180g

Dimension : 1324 x 28 x 4mm

Polarization : Vertical

Temperature : -30°C to +60°C

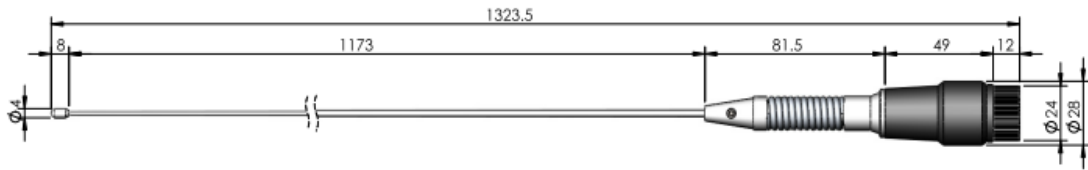
**EVERCOM COMMUNICAITON TECHNOLOGY CO., LTD.**

No.108 Jiesin St. Taoyuan District Taoyuan City 33063, Taiwan R.O.C.

Tel: +886-3-376-5678 Fax: +886-3-376-5319 E-Mail: [service@evercomtech.com](mailto:service@evercomtech.com)



ISO 9001

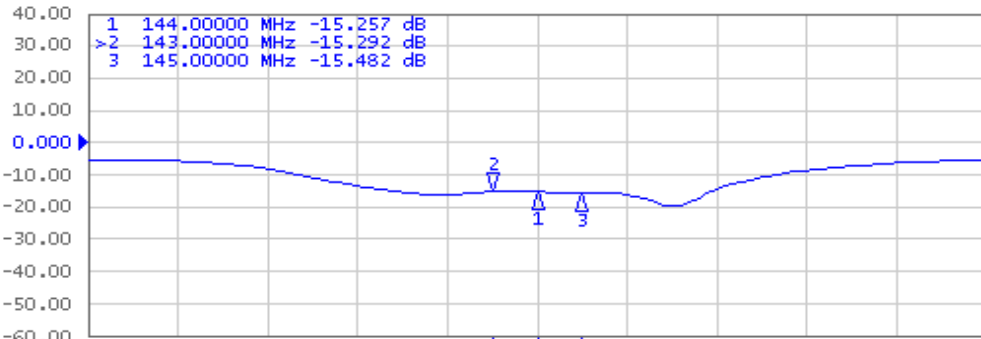


	EVERCOM COMMUNICATION TECHNOLOGY CO; LTD			CHECKED BY	APPROVAL BY	DESIGNED BY	SCALE	UNIT
	MODEL NAME		MODEL NO	DB-1203S		C.H.C	1 : 2	mm
						2009.09.24		

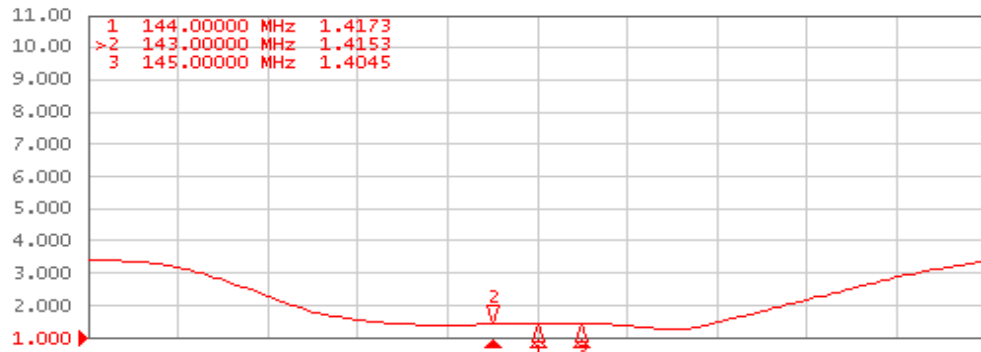
1 Active Ch/Trace 2 Response 3 Stimulus 4 Mkr/Analysis 5 Instr State

Evercom Communication Technology Co.,Ltd.

Tr1 S22 Log Mag 10.00dB/ Ref 0.000dB [R0]



Tr2 S22 SWR 1.000/ Ref 1.000 [R0]



1 Center 144 MHz

IFBW 70 kHz

Span 20 MHz

Cor

Meas Stop ExtRef Ready Svc 2018-02-05 07:56

System

Print

Abort Printing

Printer Setup...

Invert Image ON

Dump Screen Image...

Multiport Test Set Setup

Misc Setup

Backlight ON

Firmware Revision

# CB & VHF/UHF Series

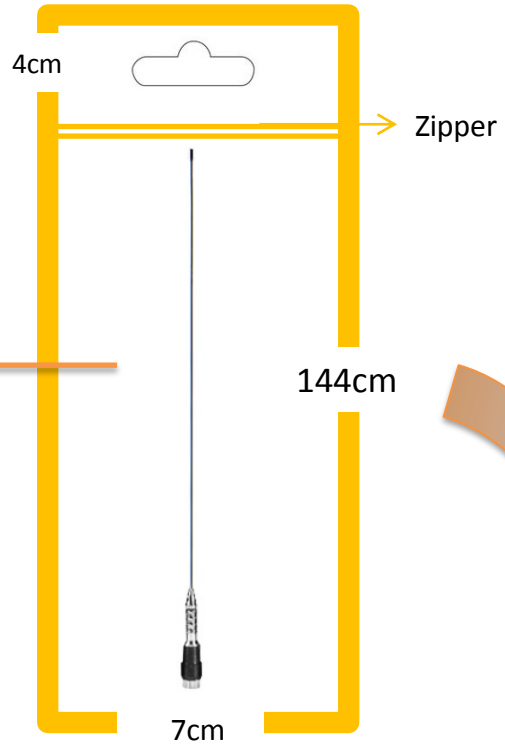


The World Wide Leader in Antenna

## Packaging

1 pc Antenna /Yellow PVC bag each

PVC bag



50 PCS Per Carton=15kg  
Carton Dimensions:140\*20\*18cm

