

**CB &VHF/UHF
Series**



The World Wide Leader in Antenna

CB ANTENNA

CB-29



Frequency : 26-28Mhz

V.S.W.R : <1.3:1

Max Power : 200W

Impedance : 50 Ohm

Material : Copper/ABS/SUS

Mount : ϕ 12.5mm NP Type

Connector : PL259 (Optional)

Color : Black

Weight: 480g

Dimension : 1343x41x5mm

Polarization : VERTICAL

Temperature : -20°C to +60°C

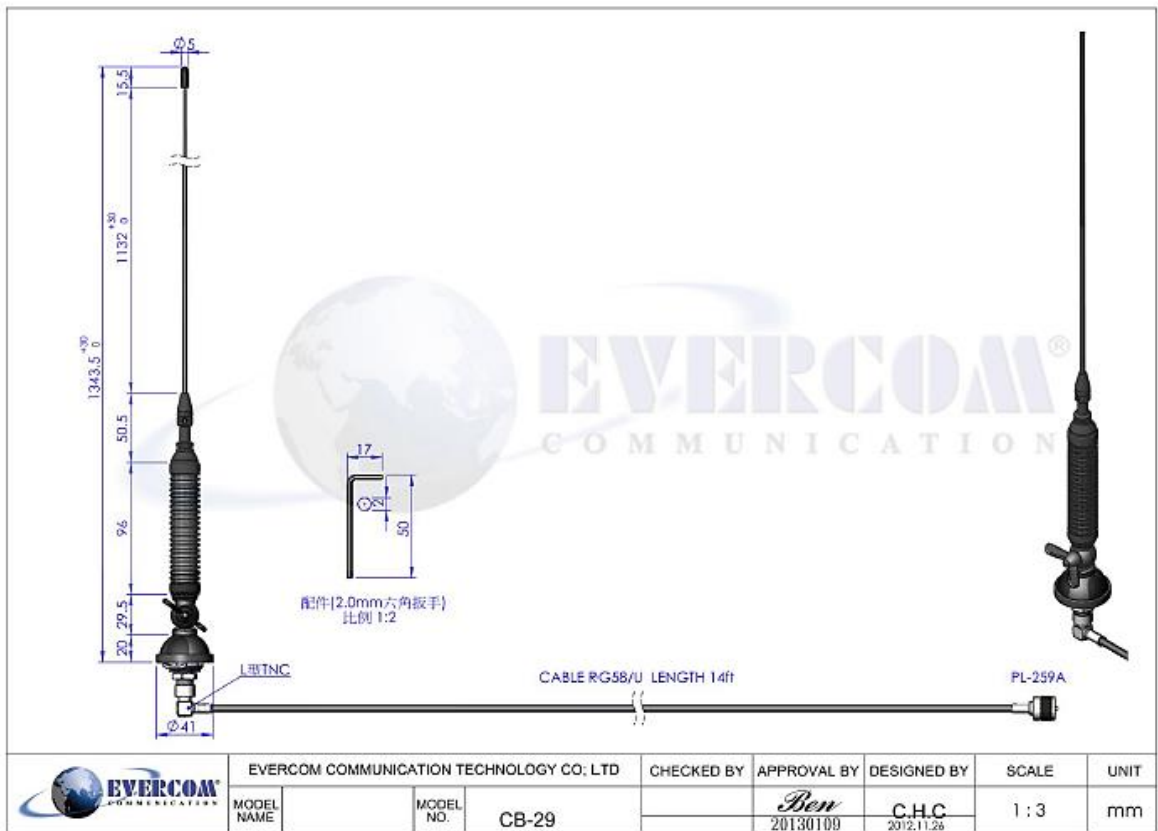
EVERCOM COMMUNICATION TECHNOLOGY CO., LTD.

No.108 Jiesin St. Taoyuan District Taoyuan City 33063, Taiwan R.O.C.

Tel: +886-3-376-5678 Fax: +886-3-376-5319 E-Mail: service@evercomtech.com

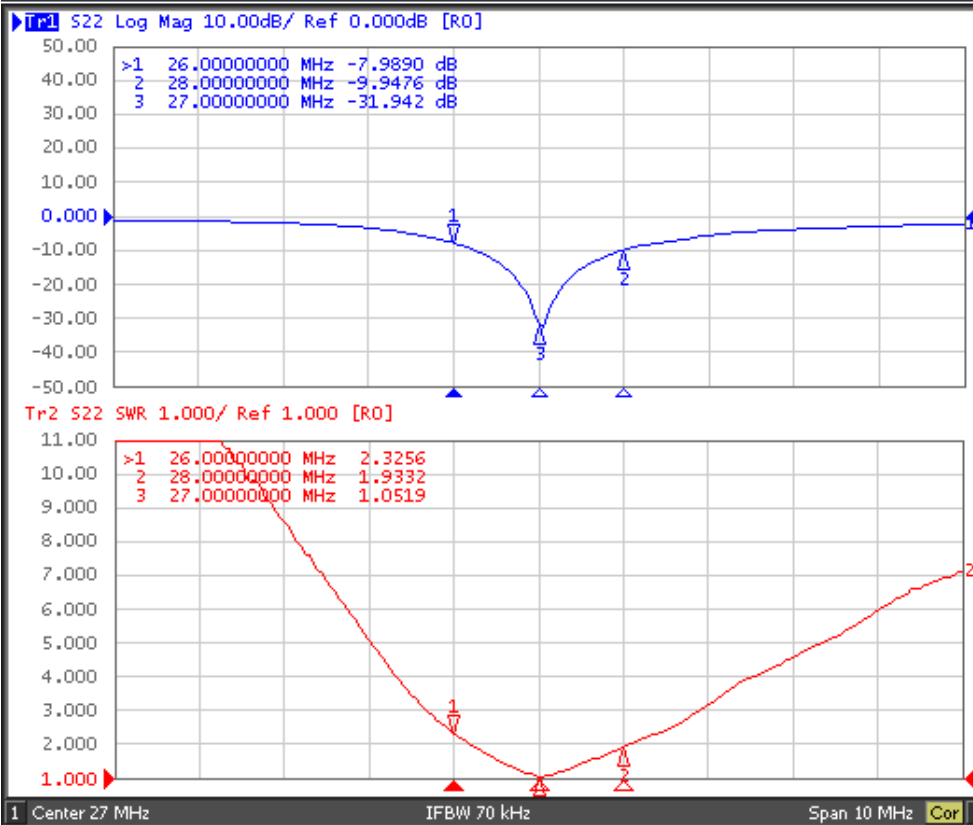


ISO 9001



Evercom Communication Technology Co., Ltd. Frequency Inspection Report

1 Active Ch/Trace 2 Response 3 Stimulus 4 Mkr/Analysis 5 Instr State



System

Print

Abort Printing

Printer Setup...

Invert Image ON

Dump Screen Image...

E5091A Setup

Misc Setup

Backlight ON

Firmware Revision

Meas Stop ExtRef Ready Svc 2018-04-26 11:23

Item No. :FG-CB-29

Inspector: Amber

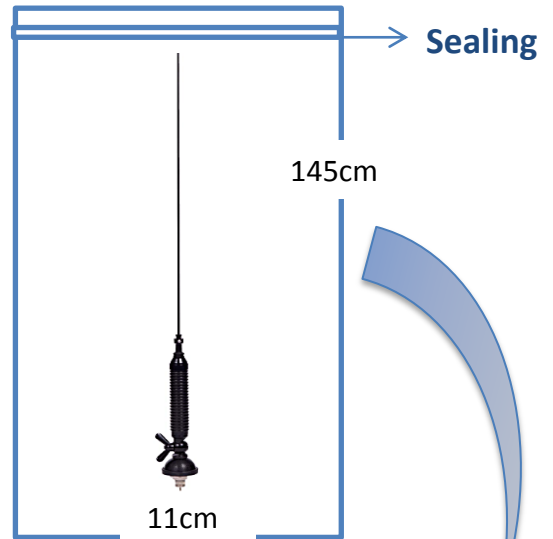
CB & VHF/UHF Series



The World Wide Leader in Antenna

Packaging

***1 pcs Antenna PE bag/ each**



***25 pcs Bulk /per Carton
Dimensions:145*20*15cm**

