

**CB & VHF/UHF
Series**



The World Wide Leader in Antenna

CB ANTENNA

CB-2352FX-TF



Frequency : 26.925-27.405Mhz

V.S.W.R : <1.5:1

Max Power: 200W

Impedance : 50 Ohm

Material :Copper/ZINC/SUS

Mount: Roof

Connector : PL259 (Optional)

Weight: 560g

Dimension: 924x42.50mm

Polarization: VERTICAL

Temperature:-20°C to +60°C

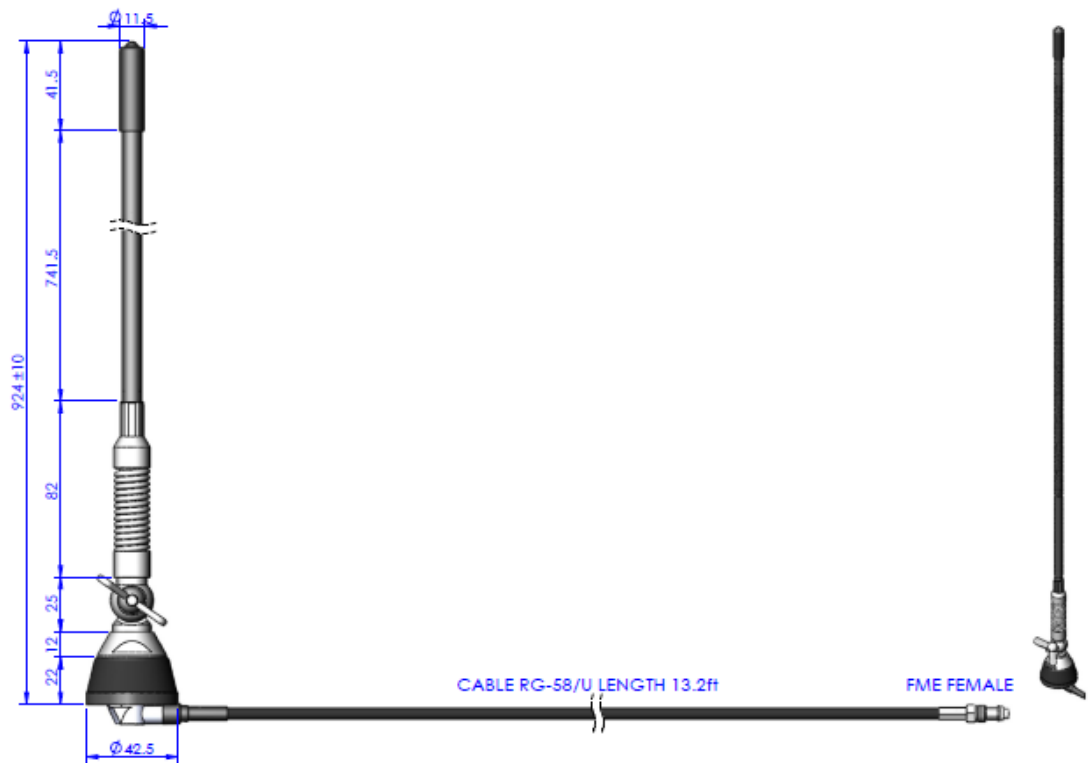
EVERCOM COMMUNICAITON TECHNOLOGY CO., LTD.

No.108 Jiesin St. Taoyuan District Taoyuan City 33063, Taiwan R.O.C.

Tel: +886-3- 376- 5678 Fax: +886-3- 376- 5319 E-Mail: service@evercomtech.com



ISO 9001

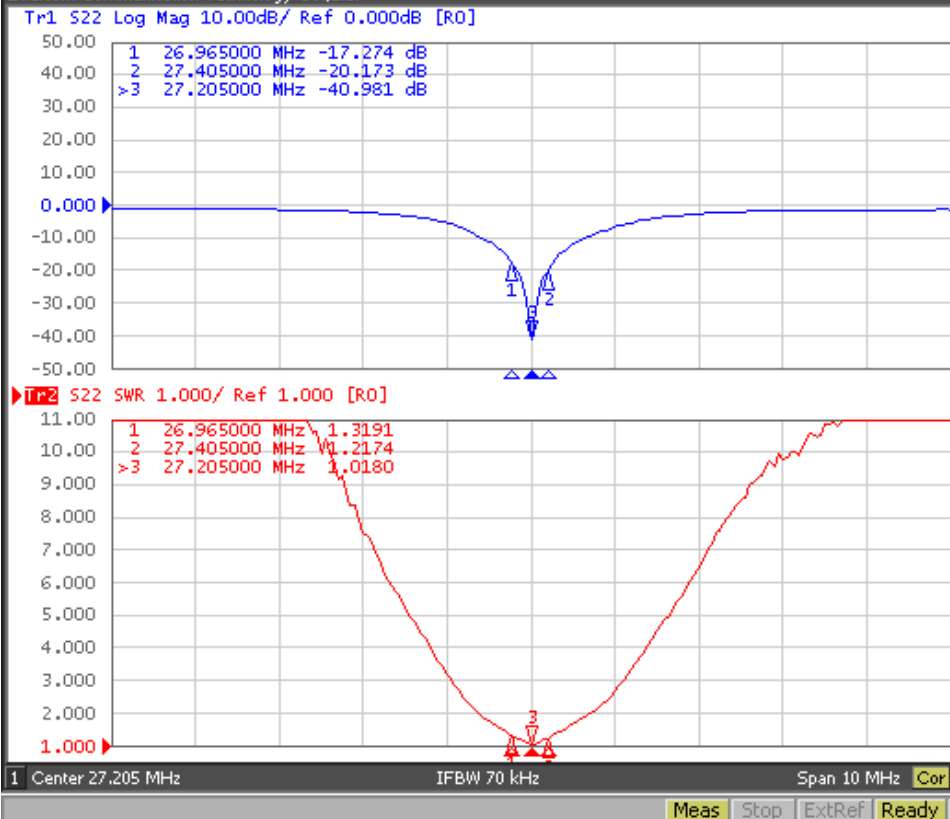


	EVERCOM COMMUNICATION TECHNOLOGY CO., LTD			CHECKED BY	APPROVAL BY	DESIGNED BY	SCALE	UNIT
	MODEL NAME	MODEL NO.	CB-2352FX-TF			C.H.C	1 : 2	mm
						2011.07.25		

Evercom Communication Technology Co., Ltd. Frequency Inspection Report

1 Active Ch/Trace 2 Response 3 Stimulus 4 Mkr/Analysis 5 Instr State

Evercom Communication Technology Co.,Ltd.



System

Print

Abort Printing

Printer Setup...

Invert Image ON

Dump Screen Image...

Multiport Test Set Setup

Misc Setup

Backlight ON

Firmware Revision

Meas Stop ExtRef Ready Svc 2014-01-08 15:29

Item No. : FG-CB-2352FX-TF

Inspector: Amber

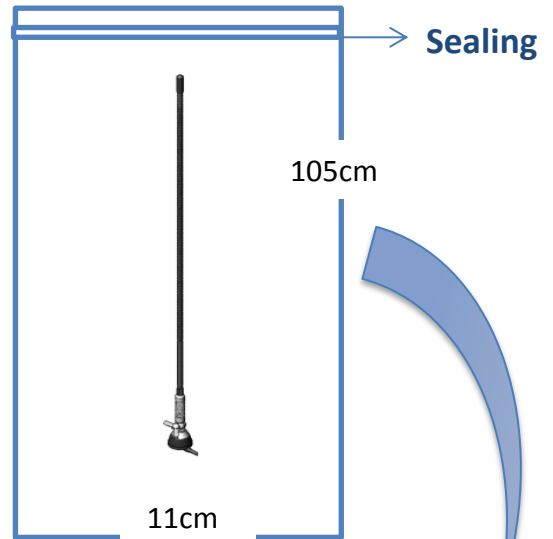
CB & VHF/UHF Series



The World Wide Leader in Antenna

Packaging

***1 pcs Antenna PE bag/ each**



***25 pcs Bulk /per Carton
Dimensions:105*20*20cm**

