

**CB & VHF/UHF
Series**



The World Wide Leader in Antenna

CB ANTENNA

CB-2331UP



Frequency : 26-28.5Mhz

V.S.W.R : <1.2:1

Max Power: 200W

Impedance : 50 Ohm

Material : ABS/SUS

Mount: M Type

Weight: 320

Dimension: 1454x33mm

Polarization: VERTICAL

Temperature:-20°C to +60°C

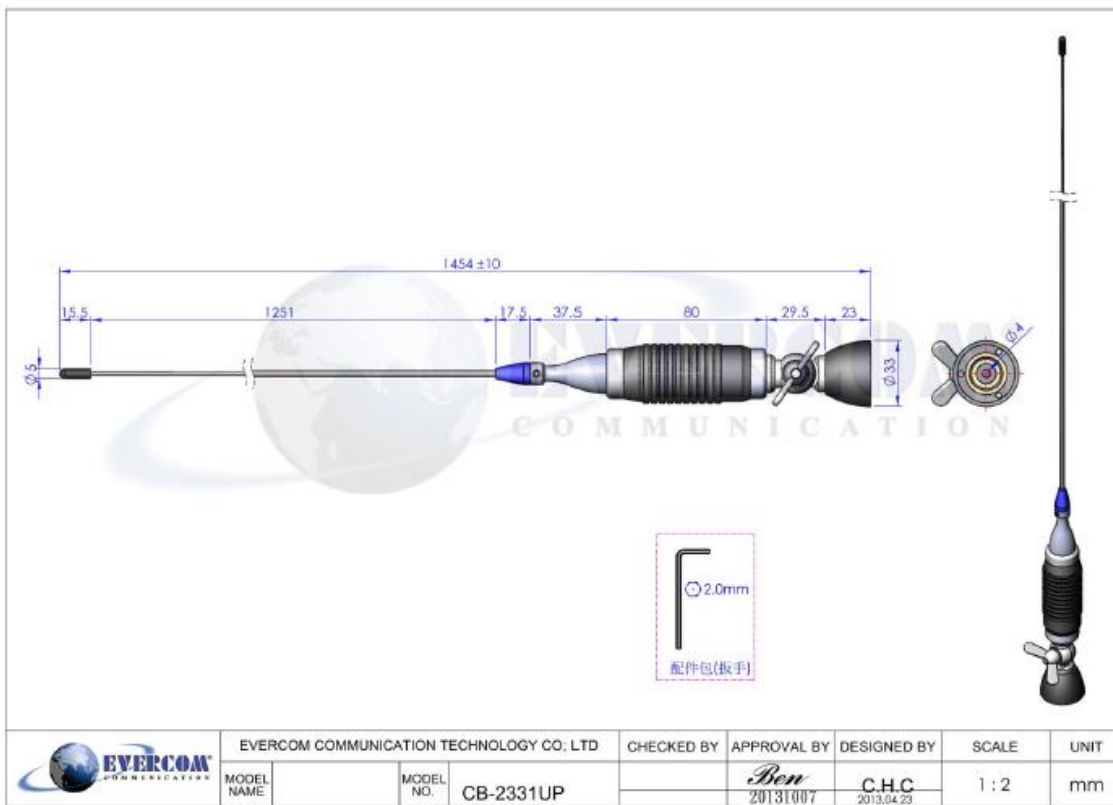
EVERCOM COMMUNICAITON TECHNOLOGY CO., LTD.

No.108 Jiesin St. Taoyuan District Taoyuan City 33063, Taiwan R.O.C.

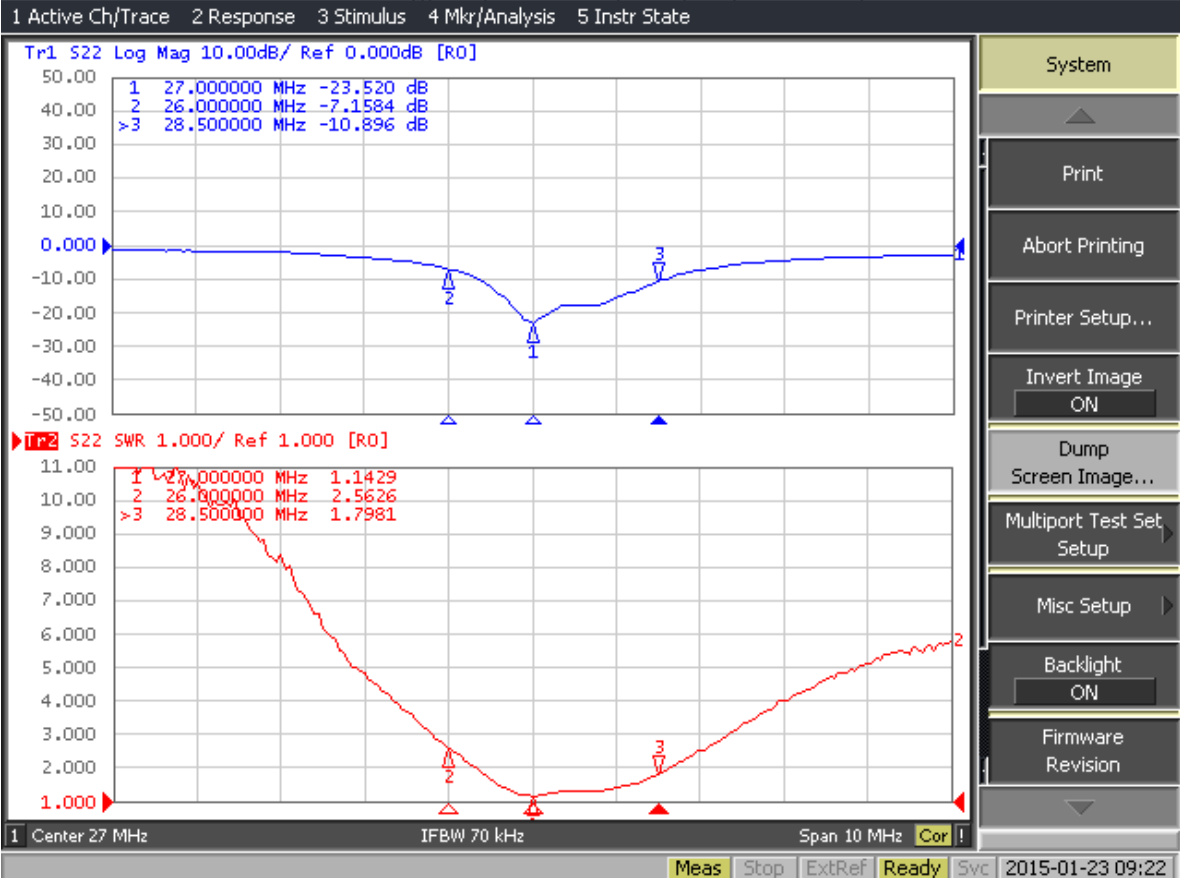
Tel: +886-3- 376- 5678 Fax: +886-3- 376- 5319 E-Mail: service@evercomtech.com



ISO 9001



Evercom Communication Technology Co., Ltd. Frequency Inspection Report



System

Print

Abort Printing

Printer Setup...

Invert Image
ON

Dump Screen Image...

Multiport Test Set Setup

Misc Setup

Backlight
ON

Firmware Revision

Item No. : FG-CB-2331UP

Inspector: Amber

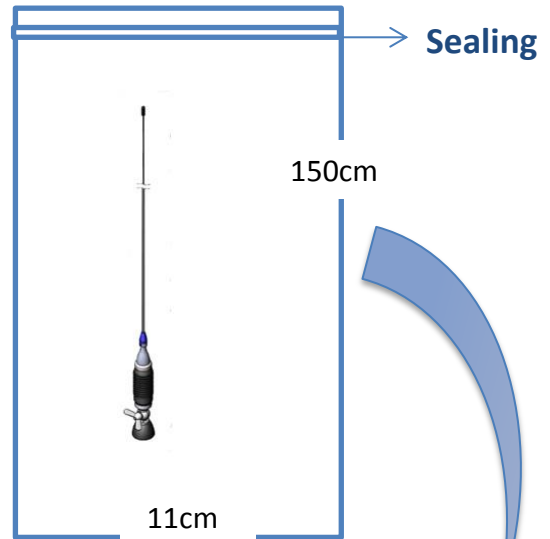
CB & VHF/UHF Series



The World Wide Leader in Antenna

Packaging

***1 pcs Antenna PE bag/ each**



***40 pcs Bulk /per Carton
Dimensions:150*20*18cm**

