

**CB & VHF/UHF
Series**



The World Wide Leader in Antenna

CB ANTENNA

CB-2302N



Frequency : 26-28.5Mhz

V.S.W.R : <1.2:1

Max Power: 100W

Impedance : 50 Ohm

Material : ABS/SUP

Mount : ϕ 12.5mm NP Type

Connector : PL259 (Optional)

Color : Black

Weight : 500g

Dimension : 421x41x5mm

Polarization : VERTICAL

Temperature : -20°C to +60°C

EVERCOM COMMUNICATION TECHNOLOGY CO., LTD.

No.108 Jiesin St. Taoyuan District Taoyuan City 33063, Taiwan R.O.C.

Tel: +886-3-376-5678 Fax: +886-3-376-5319 E-Mail: service@evercomtech.com

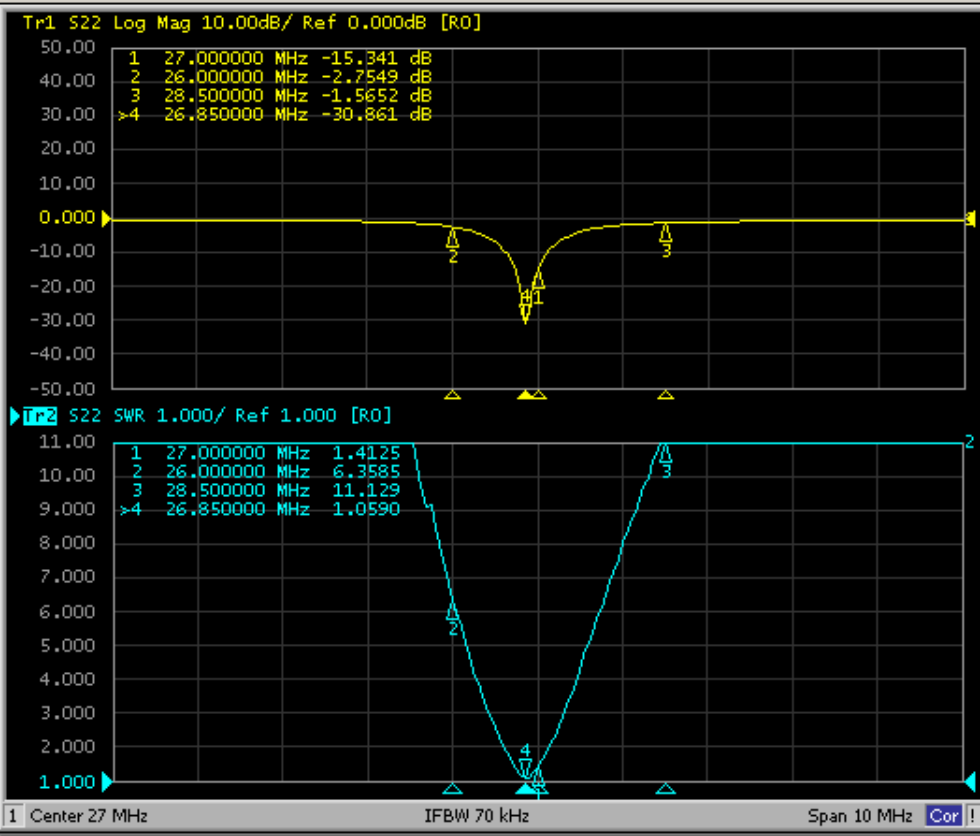


ISO 9001



| | | | | | | | | |
|--|---|-----------|------------|-------------|-------------|-------|-------|----|
| | EVERCOM COMMUNICATION TECHNOLOGY CO., LTD | | CHECKED BY | APPROVAL BY | DESIGNED BY | SCALE | UNIT | |
| | MODEL NAME | MODEL NO. | CB-2302N | | <i>Ben</i> | C.H.C | 1 : 2 | mm |
| | | | | 20140331 | 2014.02.14 | | | |

1 Active Ch/Trace 2 Response 3 Stimulus 4 Mkr/Analysis 5 Instr State



System

Print

Abort Printing

Printer Setup...

Invert Image
ON

Dump Screen Image...

Multiport Test Set Setup

Misc Setup

Backlight
ON

Firmware Revision

Meas Stop ExtRef Ready Svc 2014-03-17 13:38

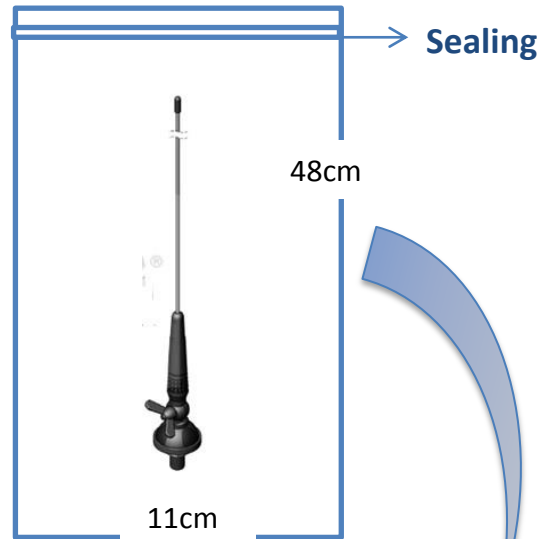
**CB & VHF/UHF
Series**



The World Wide Leader in Antenna

Packaging

***1 pcs Antenna PE bag/ each**



***50 pcs Bulk /per Carton
Dimensions:50*30*20cm**

