

**CB & VHF/UHF
Series**



The World Wide Leader in Antenna

CB ANTENNA

CB-1350UM



Frequency : 26-28Mhz

V.S.W.R : <1.5:1

Power : 300W

Impedance : 50 Ohm

Material : ABS/ SUS

Connector : PL259 (Optional)

Color : Black

Dimension : 1064 x 90mm

Weight : 500g

Polarization: Vertical

Mount : Magnet

Temperature : -20°C to +60°C

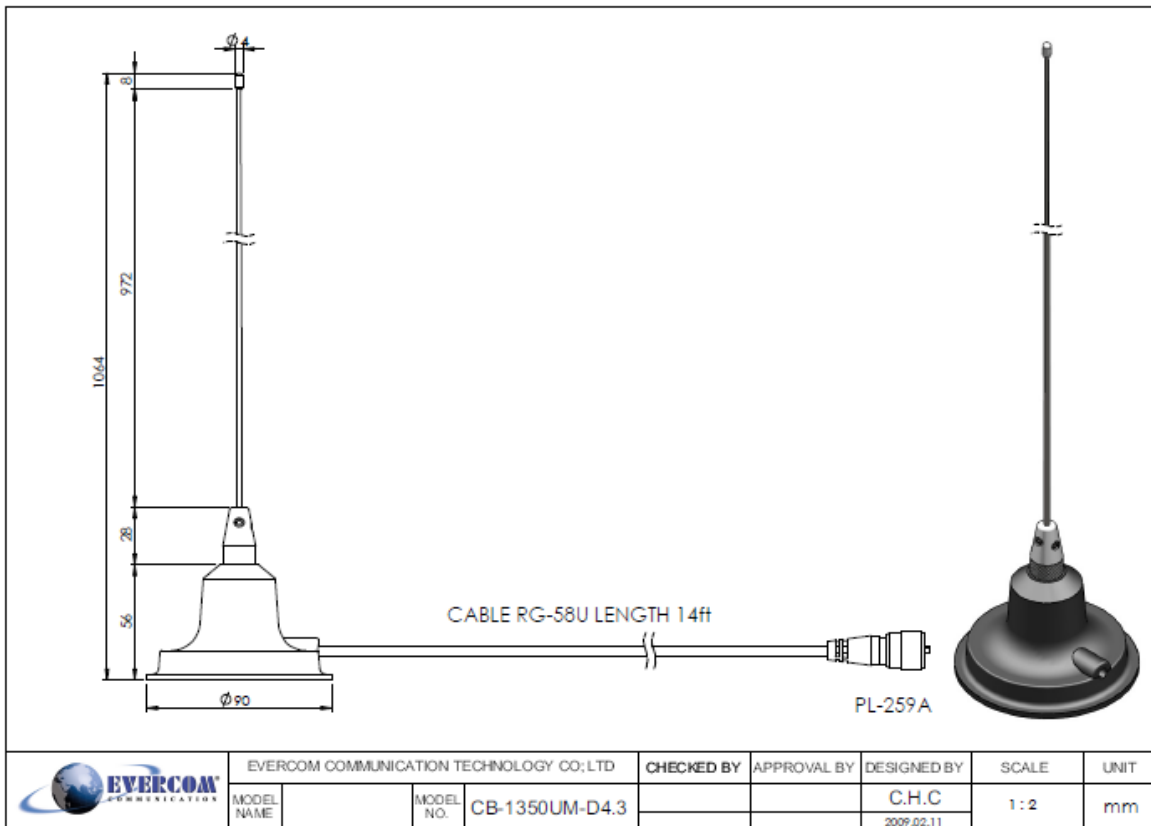
EVERCOM COMMUNICAITON TECHNOLOGY CO., LTD.

No.108 Jiesin St. Taoyuan District Taoyuan City 33063, Taiwan R.O.C.

Tel: +886-3- 376- 5678 Fax: +886-3- 376- 5319 E-Mail: service@evercomtech.com

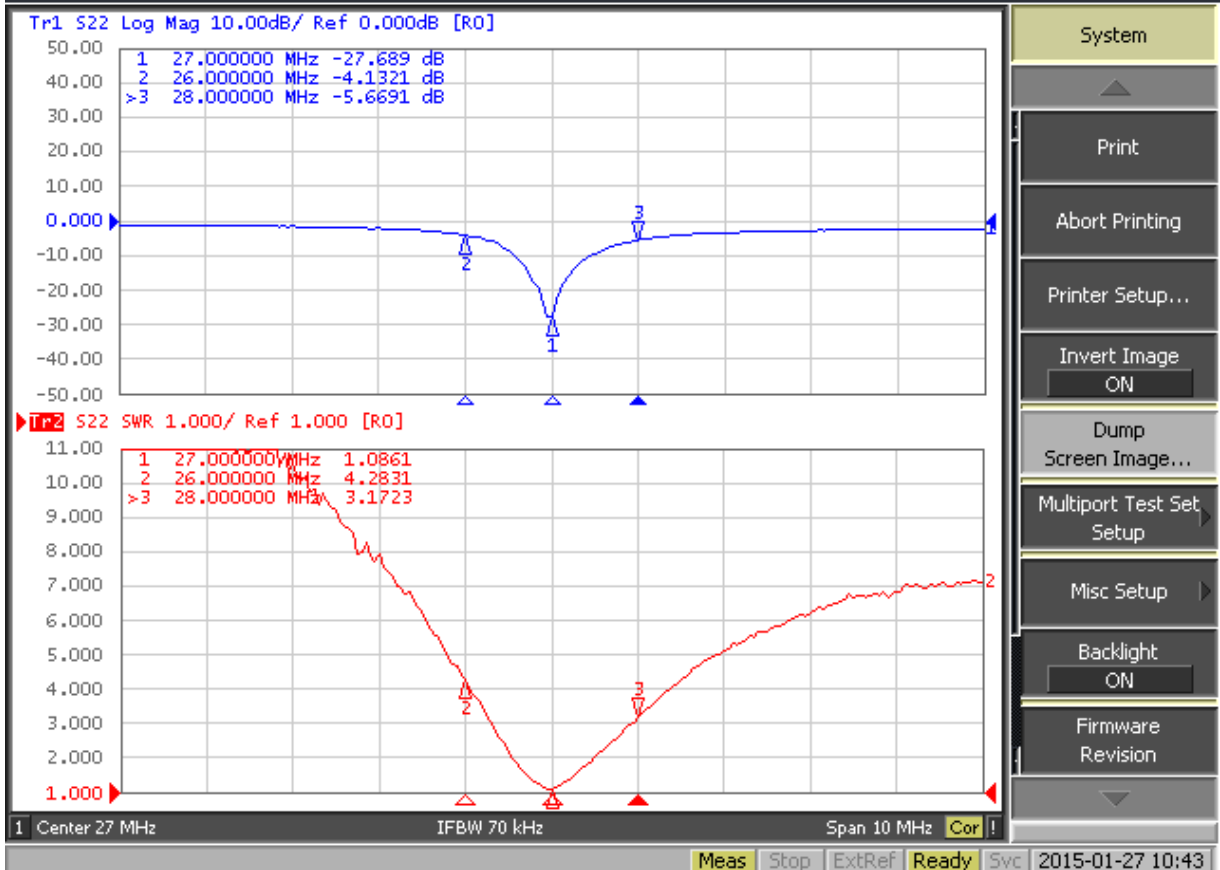


ISO 9001



Evercom Communication Technology Co., Ltd. Frequency Inspection Report

1 Active Ch/Trace 2 Response 3 Stimulus 4 Mkr/Analysis 5 Instr State



Item No. : PG-CB-1350UM-D4.3

Inspector: Amber

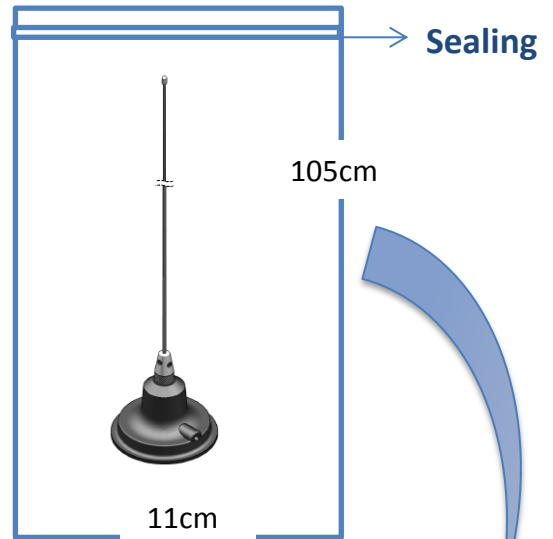
CB & VHF/UHF Series



The World Wide Leader in Antenna

Packaging

***1 pcs Antenna PE bag/ each**



***20 pcs Bulk /per Carton
Dimensions:130*10*10cm**

