

**CB &VHF/UHF  
Series**



*The World Wide Leader in Antenna*

# CB ANTENNA

## CB-1349UM-D4.9

Frequency : 26-28Mhz

V.S.W.R : <1.2:1

Max Power : 150W

Impedance : 50 Ohm

Material : ABS/SUS/Steel

Mount : Magnet

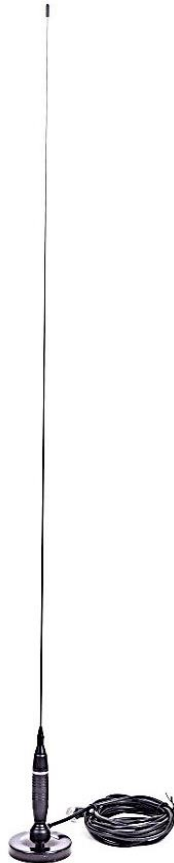
Connector : PL259 (Optional)

Weight : 720g

Dimension : 1069 x 98mm

Polarization : VERTICAL

Temperature : -20°C to +60°C



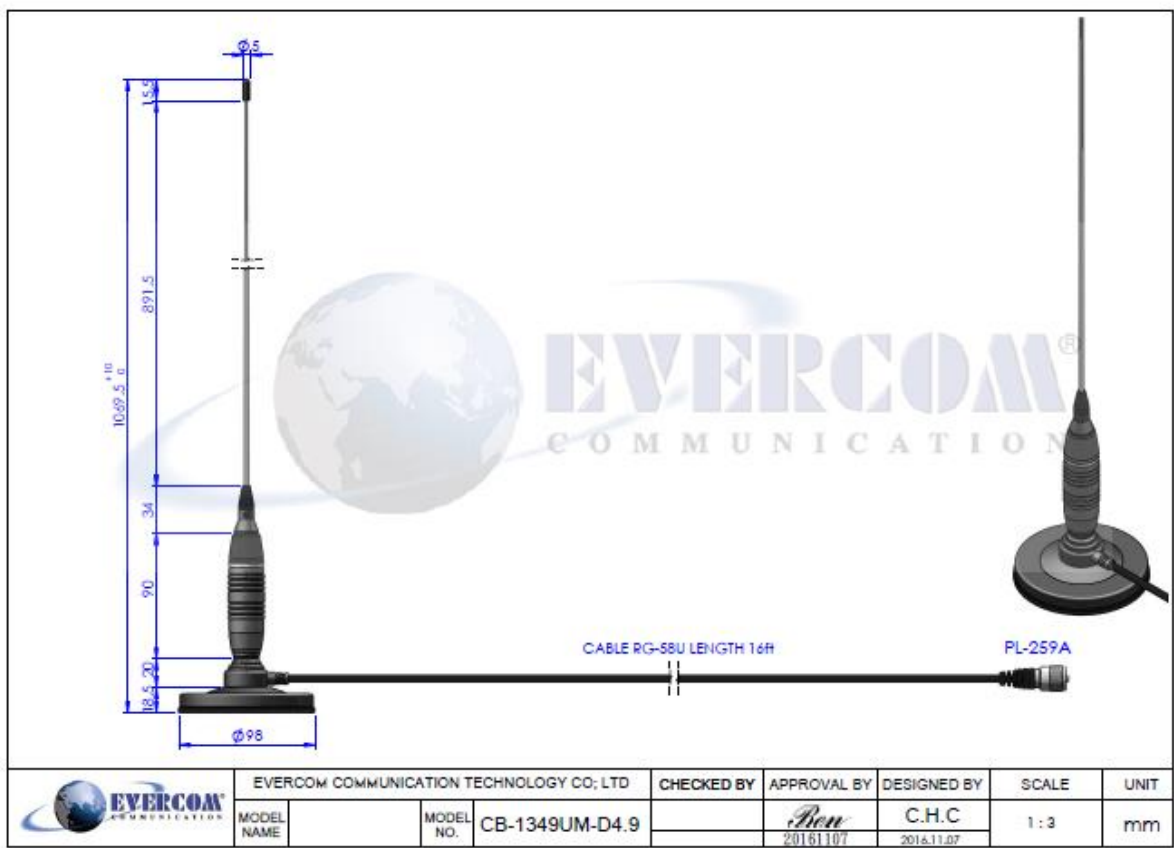
**EVERCOM COMMUNICAITON TECHNOLOGY CO., LTD.**

No.108 Jiesin St. Taoyuan District Taoyuan City 33063, Taiwan R.O.C.

Tel: +886-3- 376- 5678 Fax: +886-3- 376- 5319 E-Mail: [service@evercomtech.com](mailto:service@evercomtech.com)

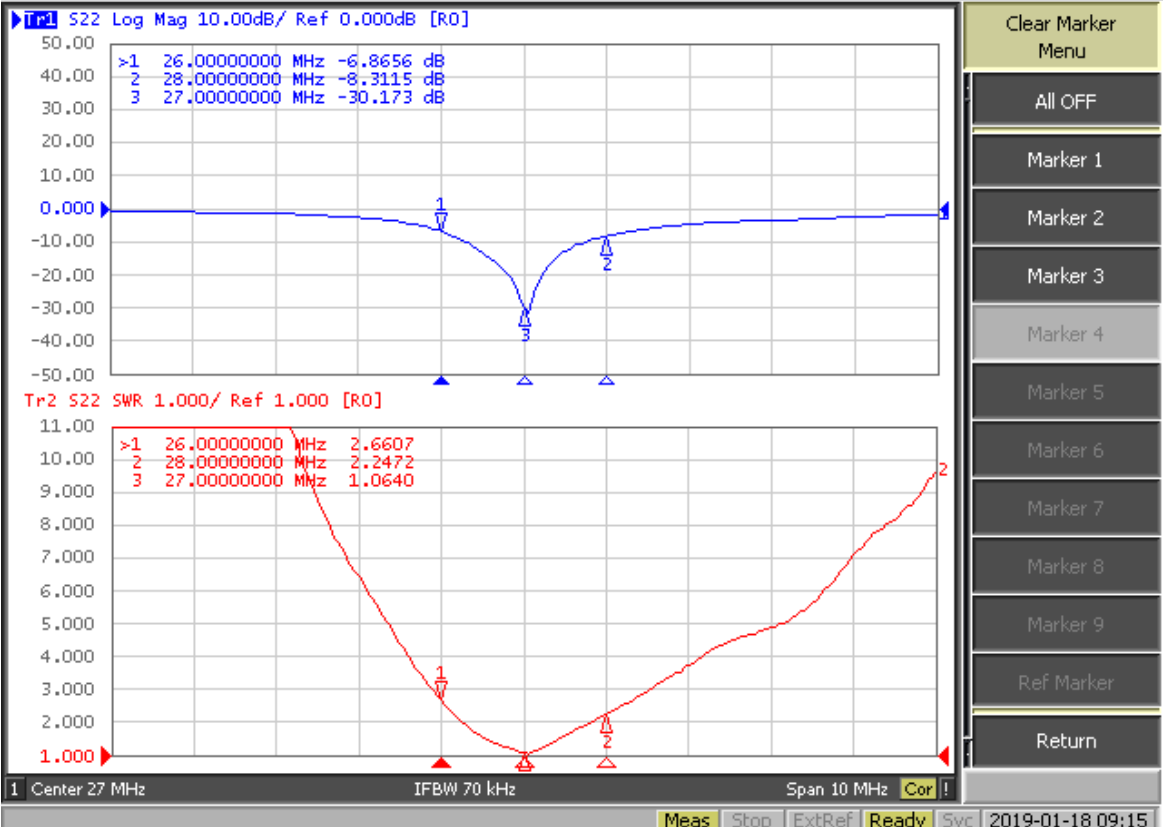


ISO 9001



Evercom Communication Technology Co., Ltd. Frequency Inspection Report

1 Active Ch/Trace 2 Response 3 Stimulus 4 Mkr/Analysis 5 Instr State



Item No. :FG-CB-1349UM-D4.9

Inspector: Amber

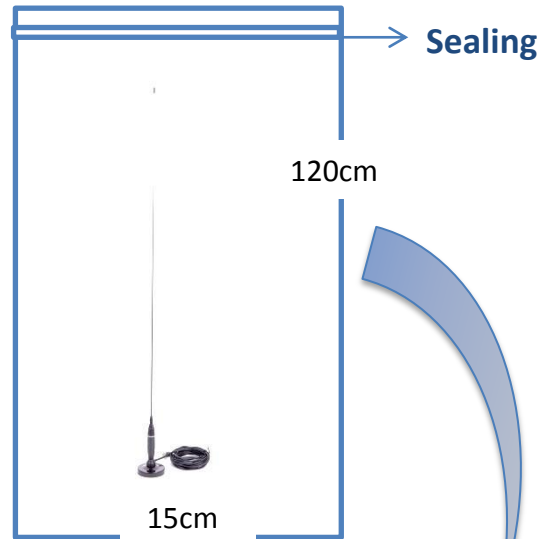
# CB & VHF/UHF Series



*The World Wide Leader in Antenna*

## Packaging

**\*1 pcs Antenna PE bag/ each**



**\*20 pcs Bulk /per Carton  
Dimensions:100\*20\*20cm**

