

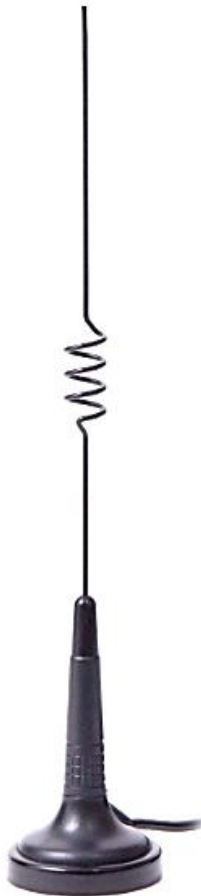
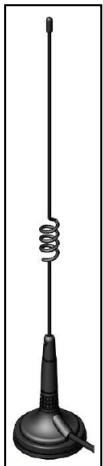
**CB &VHF/UHF
Series**



The World Wide Leader in Antenna

CB ANTENNA

CB-1348UM-D4.9



Frequency : 26-28Mhz

V.S.W.R. : <1.2:1

Max Power: 50W

Impedance : 50 Ohm

Material : ABS/SUP

Mount : Magnet

Connector : PL259 (Optional)

Weight : 450g

Dimension : 469 x 69mm

Color : Black

Polarization : VERTICAL

Temperature : -20°C to +60°C

EVERCOM COMMUNICAITON TECHNOLOGY CO., LTD.

No.108 Jiesin St. Taoyuan District Taoyuan City 33063, Taiwan R.O.C.

Tel: +886-3-376-5678 Fax: +886-3-376-5319 E-Mail: service@evercomtech.com



ISO 9001



零件包
2.0mm六角扳手

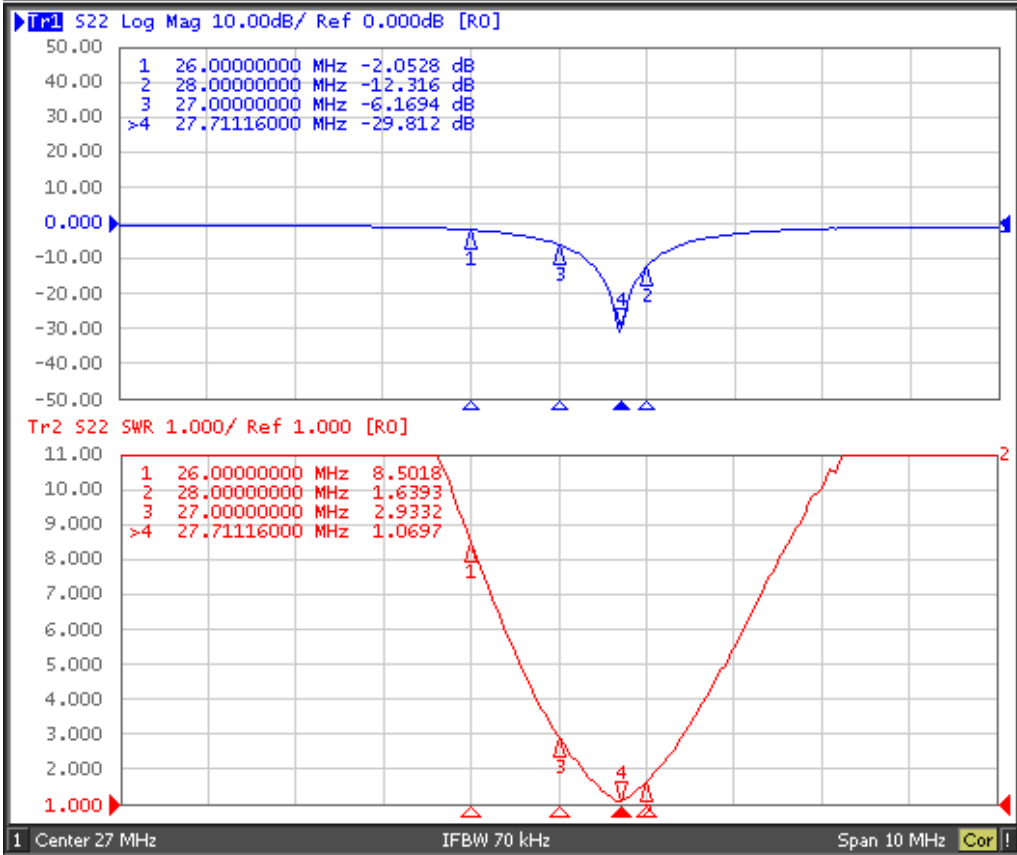
CABLE RG-58U LENGTH 16ft

PL-259A

	EVERCOM COMMUNICATION TECHNOLOGY CO., LTD		CHECKED BY	APPROVAL BY	DESIGNED BY	SCALE	UNIT
	MODEL NAME	MODEL NO.	CB-1348UM-D4.9	<i>Ben</i>	C.H.C	1 : 2	mm
			20180425	2018.04.23			

Evercom Communication Technology Co., Ltd. Frequency Inspection Report

1 Active Ch/Trace 2 Response 3 Stimulus 4 Mkr/Analysis 5 Instr State



System

Print

Abort Printing

Printer Setup...

Invert Image ON

Dump Screen Image...

E5091A Setup ▶

Misc Setup ▶

Backlight ON

Firmware Revision

Meas Stop ExtRef Ready Svc 2019-01-18 10:30

Item No. :FG-CB-1348UM-D4.9

Inspector: Amber

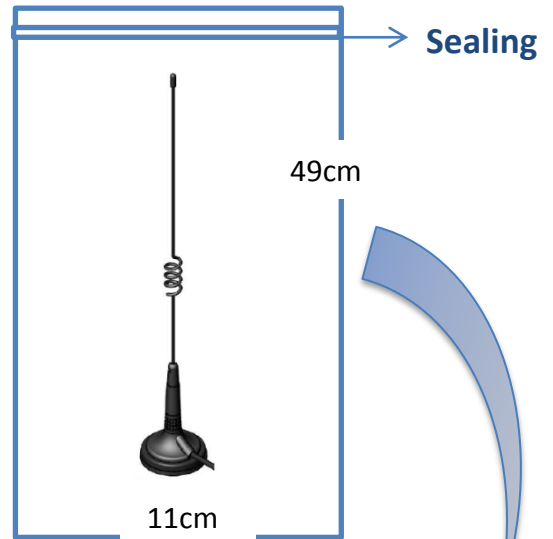
CB & VHF/UHF Series



The World Wide Leader in Antenna

Packaging

***1 pcs Antenna PE bag/ each**



***25 pcs Bulk /per Carton
Dimensions:55*40*15cm**

