

CB & VHF/UHF Series



The World Wide Leader in Antenna

VHF/UHF ANTENNA

Base Station



BS-22

Frequency : 144-146MHz

Gain : 5.5dB

V.S.W.R : <1.5:1

Impedance : 50 ohm

Max Power : 150W

Mount : M Type

Material : Aluminum

Length : 3.50M

Weight : ≐ 1.3kg

Color : Nature

Connector : PL259

Sections : 2

Polarization : Vertical

Wind : 40m/sec

Temperature : -20°C to +60°C

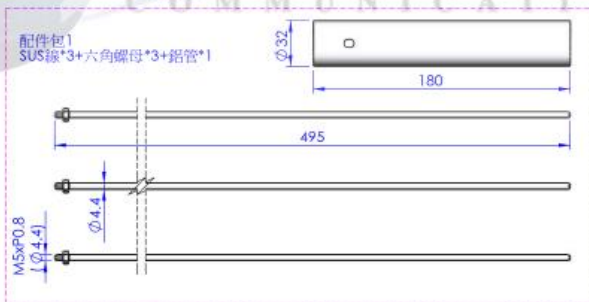
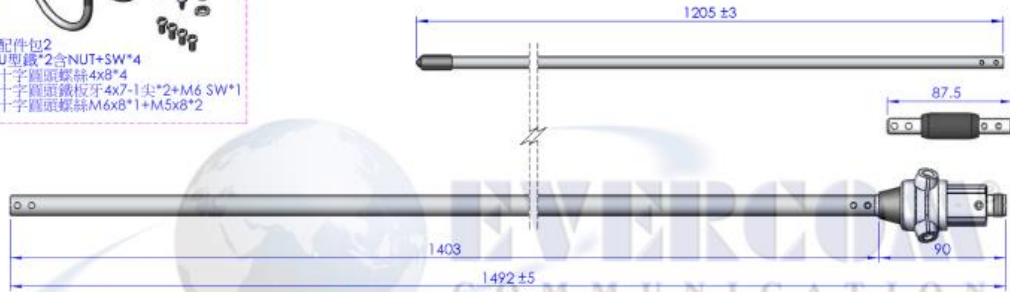
EVERCOM COMMUNICAITON TECHNOLOGY CO., LTD.

No.108 Jiesin St. Taoyuan District Taoyuan City 33063, Taiwan R.O.C.

Tel: +886-3-376-5678 Fax: +886-3-376-5319 E-Mail: service@evercomtech.com



ISO 9001



EVERCOM COMMUNICATION TECHNOLOGY CO.; LTD

CHECKED BY

APPROVAL BY

DESIGNED BY

SCALE

UNIT

MODEL NAME

MODEL NO.

BS-22

Ben
20160704

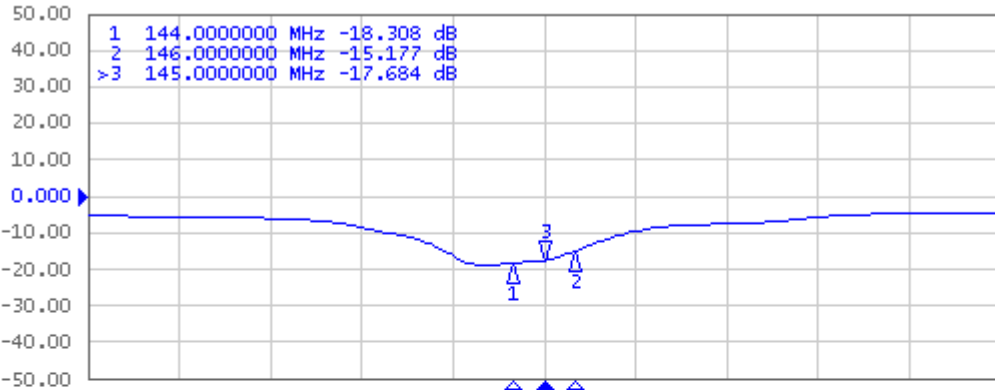
C.H.C
2016.07.04

1:3

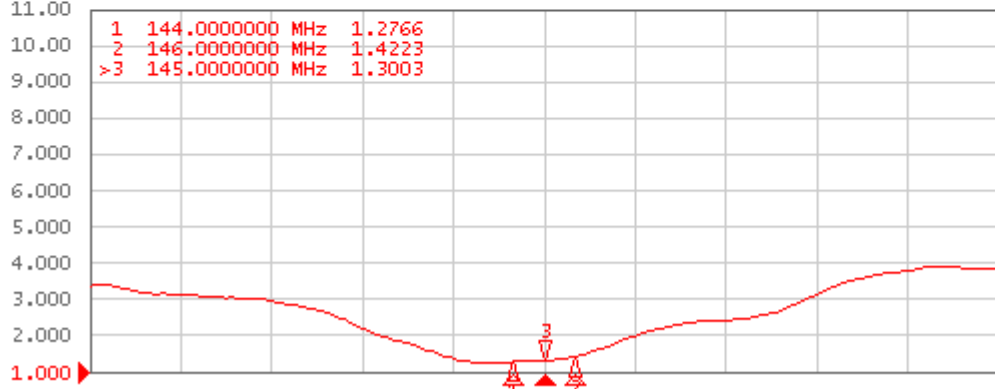
mm

1 Active Ch/Trace 2 Response 3 Stimulus 4 Mkr/Analysis 5 Instr State

Tr1 S11 Log Mag 10.00dB/ Ref 0.000dB [R0]



Tr2 S11 SWR 1.000/ Ref 1.000 [R0]



1 Center 145 MHz IFBW 70 kHz Span 30 MHz Cor

Meas Stop ExtRef Ready Svc 2020-08-11 13:17

System

Print

Abort Printing

Printer Setup...

Invert Image ON

Dump Screen Image...

E5091A Setup

Misc Setup

Backlight ON

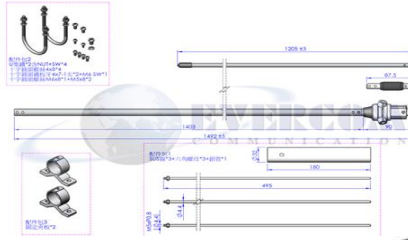
Firmware Revision

CB & VHF/UHF Series

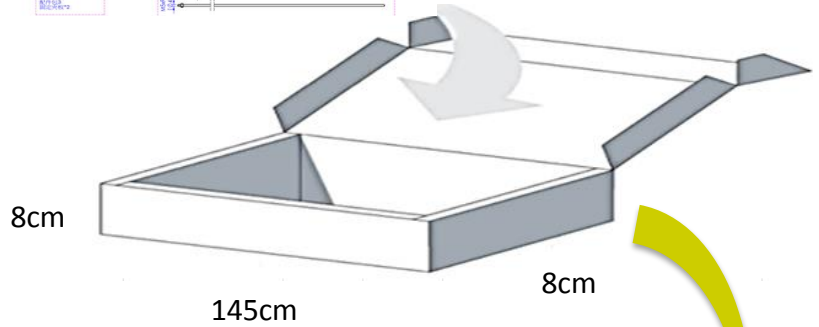


The World Wide Leader in Antenna

Packaging



A set antenna put in a box



10 pcs per carton
Carton Dimensions:165*20*18cm

