

4G LTE

4G LTE Antenna

UMB-DP135



Frequency :700~2700MHZ

Gain : 5 dBi

Connector : SMA/Male (Optional)

V.S.W.R : <1.9:1

Impedance : 50 ohm

Cable: N/A

Length: 136 mm

Weight: 15g

Material : ABS Polymer

Polarization: Linear (V or H)

Color: Black

Mount : SMA/M

Temperature: -20°C to + 65°C

Electrical Wave:1/2λ Dipole

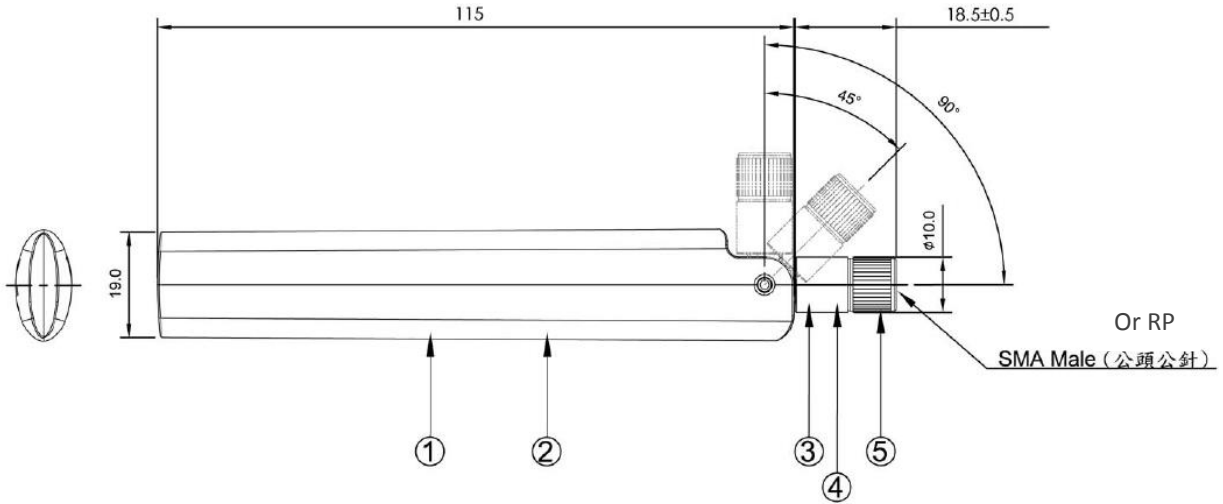
Max. Power: 10W

EVERCOM COMMUNICAITON TECHNOLOGY CO., LTD.

No.108 Jiesin St. Taoyuan District Taoyuan City 33063, Taiwan R.O.C.

Tel: +886-3- 376- 5678 Fax: +886-3- 376- 5319 E-Mail: service@evercomtech.com

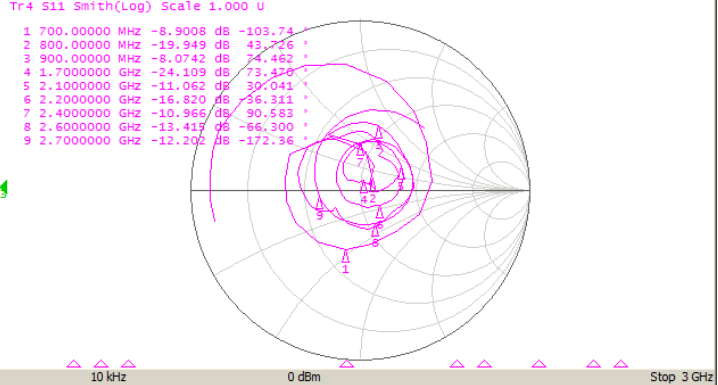
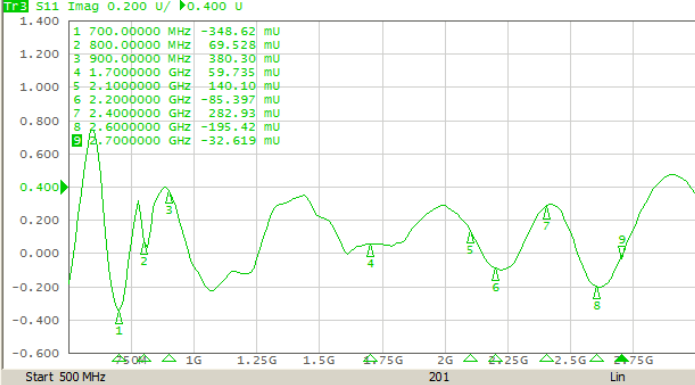
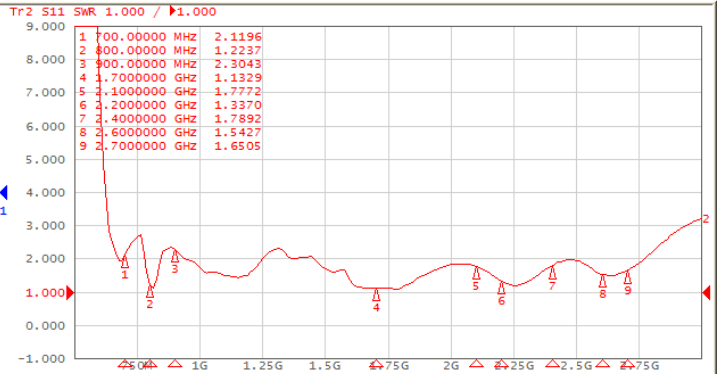
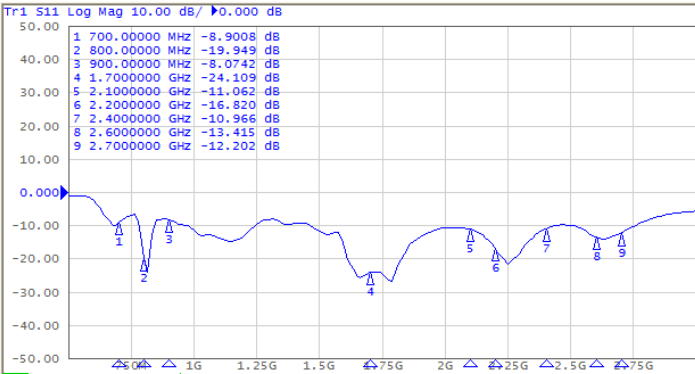
| DATE | DESCRIPTION | REV |
|------------|---------------|-----|
| 2022.07.28 | First drawing | A |
| | | |
| | | |



| 5 | Connector | SMA Male | Black | |
|-----|-----------|------------|--------|------|
| 4 | Cable | O.D.1.37mm | Black | 1 |
| 3 | Body2 | PC+PBT | | 1 |
| 2 | PCB | FR4 | Black | 1 |
| 1 | Body1 | ABS | Black | 1 |
| No. | Name | Material | Finish | Q'ty |

| | | | | | | | | |
|--|--|-------------|--|------------|-------------|-------------|-------|------|
| | EVERCOM COMMUNICATION TECHNOLOGY CO; LTD | | | CHECKED BY | APPROVAL BY | DESIGNED BY | SCALE | UNIT |
| | MODEL NO. | UMB-DP135SM | | | | Ben | 1:1 | mm |
| | | | | | | 2022.07.28 | | |

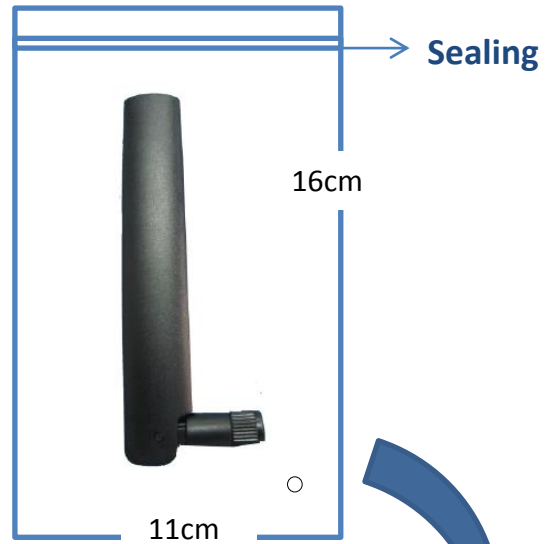
2021/12/8 下午 01:35:39



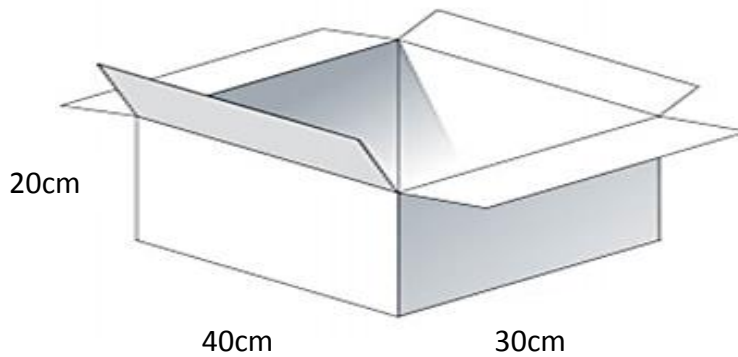
4G LTE

Packaging

Antenna pack in a poly bag



1000 PCS Per Carton
Carton Dimensions:40*30*20cm



4G LTE

Antenna Applications

